

# ECMA

Standardizing Information and Communication Systems

---

---

---

**Private Integrated Services Network  
(PISN) -  
Inter-Exchange Signalling Protocol -  
Wireless Terminal Call Handling  
Additional Network Features**

---

---



# ECMA

Standardizing Information and Communication Systems

---

---

**Private Integrated Services Network  
(PISN) -  
Inter-Exchange Signalling Protocol -  
Wireless Terminal Call Handling  
Additional Network Features**

---

---

**(QSIG-WTMCH)**



## Brief History

This Standard is one of a series of ECMA Standards defining Wireless Terminal Mobility (WTM) services and signalling protocols applicable to Private Integrated Services Networks (PISNs). The series uses ISDN concepts as developed by ITU-T and conforms to the framework of International Standards for Open Systems Interconnection as defined by ISO/IEC.

This particular Standard specifies the signalling protocol for use at the Q reference point in support of the Wireless Terminal Call Handling additional network feature. The protocol defined in this Standard forms part of the PSS1 protocol (informally known as QSIG).

This Standard is based upon the practical experience of ECMA member companies and the results of their active and continuous participation in the work of ISO/IEC JTC1, ITU-T, ETSI and other international and national standardization bodies. It represents a pragmatic and widely based consensus.

Compared to the 1st edition of Standard ECMA-304 (published by ECMA in June 2000), this 2nd Edition incorporates migration to ASN.1 version 1997.



## Table of contents

<b>1</b>	<b>Scope</b>	<b>1</b>
<b>2</b>	<b>Conformance</b>	<b>1</b>
<b>3</b>	<b>References (normative)</b>	<b>1</b>
<b>4</b>	<b>Terms and definitions</b>	<b>2</b>
4.1	External definitions	2
4.2	Other definitions	3
4.2.1	Alternative identifier	3
4.2.2	Home data base (HDB)	3
4.2.3	Home PINX	3
4.2.4	Rerouteing PINX	3
4.2.5	Visitor data base (VDB)	3
4.2.6	Visitor PINX	3
4.2.7	WTMI-detect PINX	4
<b>5</b>	<b>Symbols and abbreviated terms</b>	<b>4</b>
<b>6</b>	<b>Signalling protocol for the support of ANF-WTMI</b>	<b>4</b>
6.1	ANF-WTMI description	4
6.2	ANF-WTMI operational requirements	5
6.2.1	Requirements on the Rerouteing PINX	5
6.2.2	Requirements on the WTMI-detect PINX	5
6.2.3	Requirements on the Home PINX	5
6.2.4	Requirements on the Visitor PINX	5
6.2.5	Requirements on a Transit PINX	5
6.3	ANF-WTMI coding requirements	6
6.3.1	Operations	6
6.3.2	Information elements	9
6.3.3	Messages	9
6.4	ANF-WTMI state definitions	9
6.4.1	States at the Rerouteing PINX	9
6.4.2	States at the WTMI-detect PINX	9
6.4.3	States at the Home PINX	9
6.4.4	States at the Visitor PINX	9
6.5	ANF-WTMI signalling procedures for invocation and operation	10
6.5.1	Actions at the Rerouteing PINX	10
6.5.2	Actions at the WTMI-detect PINX	10
6.5.3	Actions at the Home PINX	12
6.5.4	Actions at the Visitor PINX	13
6.5.5	Actions at a Transit PINX	13
6.5.6	Actions at an Originating PINX	13

6.6	ANF-WTMI impact of interworking with public ISDNs	13
6.7	ANF-WTMI impact of interworking with non-ISDNs	13
6.8	Protocol interactions between ANF-WTMI and other supplementary services and ANFs	13
6.8.1	Interaction with Calling Name Identification Presentation (SS-CNIP)	13
6.8.2	Interaction with Connected Name Identification Presentation (SS-CONP)	14
6.8.3	Interaction with Call Completion to Busy Subscriber (SS-CCBS)	14
6.8.4	Interaction with Call Completion on No Reply (SS-CCNR)	14
6.8.5	Interaction with Call Transfer (SS-CT)	14
6.8.6	Interaction with Call Forwarding Unconditional (SS-CFU)	14
6.8.7	Interaction with Call Forwarding Busy (SS-CFB)	14
6.8.8	Interaction with Call Forwarding No Reply (SS-CFNR)	14
6.8.9	Interaction with Call Deflection (SS-CD)	14
6.8.10	Interaction with Path Replacement (ANF-PR)	14
6.8.11	Interaction with Call Offer (SS-CO)	14
6.8.12	Interaction with Call Intrusion (SS-CI)	14
6.8.13	Interaction with Do Not Disturb (SS-DND)	15
6.8.14	Interaction with Do Not Disturb Override (SS-DNDO)	15
6.8.15	Interaction with Advice Of Charge (SS-AOC)	15
6.8.16	Interaction with Recall (SS-RE)	15
6.8.17	Interaction with Call Interception (ANF-CINT)	15
6.8.18	Interaction with Transit Counter (ANF-TC)	15
6.8.19	Interaction with Route Restriction Class (ANF-RRC)	15
6.8.20	Interaction with Message Waiting Indication (SS-MWI)	15
6.8.21	Interaction with Wireless Terminal Location Registration (SS-WTLR)	16
6.8.22	Interaction with Wireless Terminal Information (ANF-WTINFO)	16
6.8.23	Interaction with Wireless Terminal Outgoing Call (ANF-WTMO)	16
6.8.24	Interaction with Wireless Terminal Authentication of the Terminal (SS-WTAT)	16
6.8.25	Interaction with Wireless Terminal Authentication of the Network (SS-WTAN)	16
6.9	ANF-WTMI parameter values (timers)	16
6.9.1	Timer T1	16
6.9.2	Timer T2	17
<b>7</b>	<b>Signalling protocol for the support of ANF-WTMO</b>	<b>17</b>
7.1	ANF-WTMO description	17
7.2	ANF-WTMO operational requirements	17
7.2.1	Requirements on the Originating PINX	17
7.2.2	Requirements on the Home PINX	17
7.2.3	Requirements on a Transit PINX	17
7.3	ANF-WTMO coding requirements	17
7.3.1	Operations	17
7.3.2	Information elements	17
7.3.3	Messages	18
7.4	ANF-WTMO state definitions	18
7.4.1	States at the Originating PINX	18
7.4.2	States at the Home PINX	18



7.5	ANF-WTMO signalling procedures	18
7.5.1	Actions at the Originating PINX	18
7.5.2	Actions at the Home PINX	18
7.5.3	Actions at the Transit PINX	19
7.6	ANF-WTMO impact of interworking with public ISDNs	19
7.7	ANF-WTMO impact of interworking with non-ISDNs	19
7.8	Protocol interactions between ANF-WTMO and other supplementary services and ANFs	19
7.8.1	Interaction with Calling Name Identification Presentation (SS-CNIP)	20
7.8.2	Interaction with Connected Name Identification Presentation (SS-CONP)	20
7.8.3	Interaction with Call Completion to Busy Subscriber (SS-CCBS)	20
7.8.4	Interaction with Call Completion on No Reply (SS-CCNR)	20
7.8.5	Interaction with Call Transfer (SS-CT)	20
7.8.6	Interaction with Call Diversion (SS-CFU, SS-CFB, SS-CFNR, SS-CD)	20
7.8.7	Interaction with Path Replacement (ANF-PR)	20
7.8.8	Interaction with Call Offer (SS-CO)	20
7.8.9	Interaction with Call Intrusion (SS-CI)	20
7.8.10	Interaction with Do Not Disturb (SS-DND)	20
7.8.11	Interaction with Do Not Disturb Override (SS-DNDO)	20
7.8.12	Interaction with Advice of Charge (SS-AOC)	20
7.8.13	Interaction with Recall (SS-RE)	20
7.8.14	Interaction with Call Interception (ANF-CINT)	20
7.8.15	Interaction with Transit Counter (ANF-TC)	20
7.8.16	Interaction with Route Restriction Class (ANF-RRC)	21
7.8.17	Interaction with Message Waiting Indication (SS-MWI)	21
7.8.18	Interaction with Wireless Terminal Location Registration (SS-WTLR)	21
7.8.19	Interaction with Wireless Terminal Information (ANF-WTINFO)	21
7.8.20	Interaction with Wireless Terminal Incoming Call (ANF-WTMI)	21
7.8.21	Interaction with Wireless Terminal Authentication of the Terminal (SS-WTAT)	21
7.8.22	Interaction with Wireless Terminal Authentication of the Network (SS-WTAN)	21
7.9	Parameter values (timers)	21
7.9.1	Timers at the Originating PINX	21
7.9.2	Timers at the Home PINX	21
<b>Annex A - Protocol Implementation Conformance Statement (PICS) proforma</b>		<b>23</b>
<b>Annex B - Imported ASN.1 definitions</b>		<b>33</b>
<b>Annex C - Examples of Message Sequences</b>		<b>35</b>
<b>Annex D - Specification and Description Language (SDL) representation of procedures</b>		<b>41</b>
<b>Annex E - ASN.1 definitions according to ITU-T Recs. X.208 / X.209</b>		<b>49</b>



## 1 Scope

This Standard specifies the signalling protocol for the support of the Wireless terminal call handling additional network features (ANF-WTMI and ANF-WTMO) at the Q reference point between Private Integrated services Network eXchanges (PINX) connected together within a Private Integrated Services Network (PISN).

ANF-WTMI is a feature that directs incoming calls to a WTMI user within the PISN regardless of the WTMI user's geographical location within the PISN, provided that the WTMI user's location is known. Roaming outside the PISN is outside the scope of this edition of this Standard.

ANF-WTMO permits the PISN to process call requests from a WTMO user at the home location, if required.

The Q reference point is defined in ECMA-133.

Service specifications are produced in three stages and according to the method specified in ITU-T Rec. I.130. This Standard contains the stage 3 specification for the Q reference point and satisfies the requirements identified by the stage 1 and stage 2 specifications in ECMA-303.

The signalling protocol for ANF-WTMI and ANF-WTMO operates on top of the signalling protocol for basic circuit switched call control, as specified in ECMA-143, and uses certain aspects of the generic procedures for the control of supplementary services specified in ECMA-165.

This Standard also specifies additional signalling protocol requirements for the support of interactions at the Q reference point between ANF-WTMI / ANF-WTMO and other supplementary services and ANFs.

This Standard is applicable to PINXs which can interconnect to form a PISN.

## 2 Conformance

In order to conform to this Standard, a PINX shall satisfy the requirements identified in the Protocol Implementation Conformance Statement (PICS) proforma in annex A.

## 3 References (normative)

The following standards contain provisions which, through reference in this text, constitute provisions of this Standard. All standards are subject to revision, and parties to agreements based on this Standard are encouraged to investigate the possibility of applying the most recent editions of the standards indicated below.

In the case of references to ECMA Standards that are aligned with ISO/IEC International Standards, the number of the appropriate ISO/IEC International Standard is given in brackets after the ECMA reference.

ECMA-133	Private Integrated Services Network (PISN) - Reference Configuration for PISN Exchanges (PINX) (International Standard ISO/IEC 11579-1)
ECMA-142	Private Integrated Services Network (PISN) - Circuit Mode 64kbit/s Bearer Services - Service Description, Functional Capabilities and Information Flows (International Standard ISO/IEC 11574)
ECMA-143	Private Integrated Services Network (PISN) - Circuit Mode Bearer Services - Inter-Exchange Signalling Procedures and Protocol (International Standard ISO/IEC 11572)
ECMA-155	Private Integrated Services Networks - Addressing (International Standard ISO/IEC 11571)
ECMA-164	Private Integrated Services Network (PISN) - Inter-Exchange Signalling Protocol - Name Identification Supplementary Services (International Standard ISO/IEC 13868)
ECMA-165	Private Integrated Services Network (PISN) - Generic Functional Protocol for the Support of Supplementary Services - Inter-Exchange Signalling Procedures and Protocol (International Standard ISO/IEC 11582)

ECMA-174	Private Integrated Services Network (PISN) - Inter-Exchange Signalling Protocol - Call Diversion Supplementary Services (International Standard ISO/IEC 13873)
ECMA-176	Private Integrated Services Network (PISN) - Inter-Exchange Signalling Protocol - Path Replacement Additional Network Feature (International Standard ISO/IEC 13874)
ECMA-192	Private Integrated Services Network (PISN) - Inter-Exchange Signalling Protocol - Call Offer Supplementary Service (International Standard ISO/IEC 14843)
ECMA-194	Private Integrated Services Network (PISN) - Inter-Exchange Signalling Protocol - Do Not Disturb and Do Not Disturb Override Supplementary Services (International Standard ISO/IEC 14844)
ECMA-203	Private Integrated Services Network (PISN) - Inter-Exchange Signalling Protocol - Call Intrusion Supplementary Service (International Standard ISO/IEC 14846)
ECMA-212	Private Integrated Services Network (PISN) - Inter-Exchange Signalling Protocol - Advice of Charge Supplementary Services (International Standard ISO/IEC 15050)
ECMA-221	Private Integrated Services Network (PISN) - Inter-Exchange Signalling Protocol - Call Interception Additional Network Feature (International Standard ISO/IEC 15054)
ECMA-225	Private Integrated Services Network (PISN) - Inter-Exchange Signalling Protocol - Transit Counter Additional Network Feature (International Standard ISO/IEC 15056)
ECMA-242	Private Integrated Services Network (PISN) - Inter-Exchange Signalling Protocol - Message Waiting Indication Supplementary Service (International Standard ISO/IEC 15506)
ECMA-303	Private Integrated Services Network (PISN) - Specification, Functional Model and Information Flows - Wireless Terminal Call Handling Additional Network Features (International Standard ISO/IEC 15430)
ISO/IEC 13241	Information technology - Telecommunications and information exchange between systems - Private Integrated Services Network - Inter-exchange signalling protocol - Route Restriction Class additional network feature (1997)
ITU-T Rec. I.112	Vocabulary of terms for ISDNs (1993)
ITU-T Rec. I.130	Method for the characterization of telecommunication services supported by an ISDN and network capabilities of an ISDN (Blue Book) (1988)
ITU-T Rec. I.210	Principles of telecommunication services supported by an ISDN and the means to describe them (1993)
ITU-T Rec. Q.850	Usage of cause and location in the digital subscriber signalling system No. 1 and the signalling system No. 7 ISDN user part (1993)
ITU-T Rec. Q.950	Supplementary services protocols, structure and general principles (2000)
ITU-T Rec. Z.100	Specification and description language (1999)

## 4 Terms and definitions

For the purposes of this Standard, the following definitions apply.

### 4.1 External definitions

This Standard uses the following terms defined in other documents:

- Additional Network Feature (ANF) (ECMA-165)
- Application Protocol Data Unit (APDU) (ECMA-165)
- Basic service (ITU-T Rec. I.210)
- Call, Basic call (ECMA-165)
- Call independent (ECMA-165)

- Call independent signalling connection (ECMA-165)
- Call related (ECMA-165)
- Complete number (ECMA-155)
- Co-ordination function (ECMA-165)
- End PINX (ECMA-165)
- Incoming Gateway PINX (ECMA-143)
- Incoming WTM call (ECMA-303)
- Interpretation APDU (ECMA-165)
- Network Facility Extension (NFE) (ECMA-165)
- Originating PINX (ECMA-143)
- Private Integrated Services Network (PISN) (ECMA-133)
- Private Integrated services Network eXchange (PINX) (ECMA-133)
- PISN number (ECMA-155)
- Signalling (ITU-T Rec. I.112)
- Supplementary service (ITU-T Rec. I.210)
- Supplementary Service Control Entity (ECMA-165)
- Subsequent PINX (ECMA-143)
- Terminating PINX (ECMA-143)
- Transit PINX (ECMA-143)
- User (ECMA-142)
- WTMI user (ECMA-303)
- WTMO user (ECMA-303)

## 4.2 Other definitions

### 4.2.1 Alternative identifier

An identifier, other than the PISN number, which identifies the WTMI user uniquely.

### 4.2.2 Home data base (HDB)

The data base in which the current location and all associated parameters of a wireless terminal are stored.

### 4.2.3 Home PINX

The PINX which has direct access to the HDB entry for a particular WTMI or WTMO user.

### 4.2.4 Rerouteing PINX

The PINX which executes the rerouteing of the incoming WTM call to the current Visitor PINX.

#### *NOTE*

*In case of rerouteing, the Rerouteing PINX is either the Originating PINX or the Incoming Gateway PINX. In case of forward switching, the Rerouteing PINX is the WTMI-detect PINX.*

### 4.2.5 Visitor data base (VDB)

The data base in which all relevant parameters concerning a wireless terminal are stored for as long as it is located in an area controlled by this data base.

### 4.2.6 Visitor PINX

The PINX which has direct access to the VDB entry for a particular WTMI or WTMO user.

#### 4.2.7 WTMI-detect PINX

The PINX which detects that an incoming call is to a WTMI user.

*NOTE*

*The WTMI-detect PINX is either the Home PINX, a Transit PINX, the Incoming Gateway PINX or the Originating PINX.*

## 5 Symbols and abbreviated terms

ANF	Additional Network Feature
ANF-CINT	Call Interception additional network feature
ANF-PR	Path Replacement additional network feature
ANF-RRC	Route Restriction Class additional network feature
ANF-TC	Transit counter additional network feature
(ANF-)WTMI	Wireless Terminal Incoming Call (additional network feature)
(ANF-)WTMO	Wireless Terminal Outgoing Call (additional network feature)
APDU	Application Protocol Data Unit
ASN.1	Abstract Syntax Notation no. 1
HDB	Home Data Base
ISDN	Integrated Services Digital Network
NFE	Network Facility Extension
PICS	Protocol Implementation Conformance Statement
PINX	Private Integrated services Network eXchange
PISN	Private Integrated Services Network
SDL	Specification and Description Language
SS-AOC	Advice Of Charge supplementary services
SS-CD	Call Deflection supplementary service
SS-CFB	Call Forwarding Busy supplementary service
SS-CFNR	Call Forwarding No Reply supplementary service
SS-CFU	Call Forwarding Unconditional supplementary service
SS-CI	Call Intrusion supplementary service
SS-CNIP	Calling Name Identification Presentation supplementary service
SS-CO	Call Offer supplementary service
SS-DNDO	Do Not Disturb Override supplementary service
SS-MWI	Message Waiting Indication supplementary service
VDB	Visitor Data Base
WTM	Wireless Terminal Mobility

## 6 Signalling protocol for the support of ANF-WTMI

### 6.1 ANF-WTMI description

ANF-WTMI enables calls to be directed to a WTMI user within the PISN. As there is no predetermined PINX for the connection of a WTMI user to the PISN, the directing of such calls requires that information regarding the location of the user is available.

## **6.2 ANF-WTMI operational requirements**

### **6.2.1 Requirements on the Rerouteing PINX**

ECMA-143 protocol control procedures for call establishment at the outgoing side of an inter-PINX link shall apply to the establishment of the connection to the Visitor PINX. ECMA-143 protocol control procedures for call clearing shall apply to the release of the connection to the WTMI-detect PINX.

Generic procedures for the call related control of supplementary services, as specified in ECMA-165 for an End PINX, shall apply.

### **6.2.2 Requirements on the WTMI-detect PINX**

ECMA-143 protocol control procedures for call establishment at the incoming side of an inter-PINX link shall apply to the establishment of the connection from the Originating or Incoming Gateway PINX. ECMA-143 protocol control procedures for call clearing shall apply to the release of the connection to the Rerouteing PINX.

Generic procedures for the call related control of supplementary services, as specified in ECMA-165 for an End PINX, shall apply.

Generic procedures for the call independent control (connection oriented) of supplementary services, as specified in ECMA-165 for an Originating PINX, shall apply.

### **6.2.3 Requirements on the Home PINX**

Generic procedures for the call independent control (connection oriented) of supplementary services, as specified in ECMA-165 for a Terminating PINX, shall apply.

### **6.2.4 Requirements on the Visitor PINX**

ECMA-143 protocol control procedures for call establishment at the incoming side of an inter-PINX link shall apply to the establishment of the connection from the Rerouteing PINX.

Generic procedures for the call related control of supplementary services, as specified in ECMA-165 for an End PINX, shall apply.

### **6.2.5 Requirements on a Transit PINX**

Basic call procedures for call establishment and call clearing at a Transit PINX, as specified in ECMA-143, shall apply.

Generic procedures for the call related control and call independent control (connection oriented) of supplementary services, as specified in ECMA-165 for a Transit PINX, shall apply.

## 6.3 ANF-WTMI coding requirements

### 6.3.1 Operations

The operations defined in Abstract Syntax Notation number 1 (ASN.1) in table 1 shall apply. The notation is in accordance with ITU-T Rec. X.680 and X.690. The ITU-T Rec. X.208 and X.209 superseded version is in annex E.

**Table 1 - Operations in support of call handling additional network features**

```
Wireless-Terminal-Call-Handling-Operations-asn1-97
{ iso (1) standard (0) pss1-wtm-call-handling (15431) operations-asn1-97 (1)}

DEFINITIONS EXPLICIT TAGS ::=

BEGIN

IMPORTS
    OPERATION, ERROR FROM Remote-Operations-Information-Objects
        { joint-iso-itu-t remote-operations (4) informationObjects(5) version1(0)}
    EXTENSION, Extension{} FROM Manufacturer-specific-service-extension-class-asn1-97
        { iso (1) standard (0)
          pss1-generic-procedures (11582) msi-class-asn1-97 (11) }
    PSS1InformationElement FROM PSS1-generic-parameters-definition-asn1-97
        { iso (1) standard (0)
          pss1-generic-procedures (11582) pss1-generic-parameters-asn1-97 (17) }
    Name FROM Name-Operations-asn1-97
        { iso (1) standard (0)
          pss1-name (13868) name-operations-asn1-97 (1) }
    basicServiceNotProvided, invalidServedUserNr, notAvailable FROM
        General-Error-List
        { ccitt (0) recommendation (0) q 950 general-error-list (1) }
    Address, PartyNumber, PartySubaddress, PresentedNumberScreened FROM
        Addressing-Data-Elements-asn1-97
        { iso (1) standard (0) pss1-generic-procedures (11582)
          addressing-data-elements-asn1-97 (20) };

-- Operations for ANF-WTMI: --

WTMCH-Operations OPERATION ::= {wtmiEnquiry | wtmIDivert | wtmIInform| wtmOCall}

wtmiEnquiry
    OPERATION ::= {
        -- Sent from the WTMI-detect PINX to the Home PINX.
        ARGUMENT      EnquiryArg
        RESULT        EnquiryRes
        ERRORS        { invalidServedUserNr | locationNotKnown |
                       notAvailable | basicServiceNotProvided | unspecified }
        CODE          local: 54}
```



**Table 1 - Operations in support of call handling additional network features (continued)**

wtmiDivert	OPERATION ::= { -- Sent from the WTMI-detect PINX to the Rerouteing PINX. ARGUMENT DivertArg RESULT DummyRes ERRORS { notAvailable   unspecified } CODE local: 55}
wtmiInform	OPERATION ::= { -- Sent from the Rerouteing PINX to the Visitor PINX. ARGUMENT InformArg RETURN RESULT FALSE ALWAYS RESPONDS FALSE CODE local: 56}
EnquiryArg ::=	SEQUENCE { pisinNumber PartyNumber, -- The PISN number of the WTMI user qSIGInfoElement PSS1InformationElement, -- The basic call information elements Bearer capability, High layer compatibility, -- Low layer compatibility can be embedded in the qSIGInfoElement -- in accordance with clause 6.5.2.1. argExtension WtmiExtension OPTIONAL }
DivertArg ::=	SEQUENCE { visitPINX PartyNumber, -- The PISN number of the Visitor PINX, -- always a Complete Number. callingNumber PresentedNumberScreened, wtmIdentity WtmiIdentity, -- The PISN number (always a Complete Number) -- and/or an alternative identifier of the WTMI user. qSIGInfoElement PSS1InformationElement, -- The basic call information elements Bearer capability, High layer compatibility, -- Low layer compatibility, and Progress indicator -- can be embedded in the qSIGInfoElement in accordance with clause 6.5.2.1. callingUserSub [ 1 ] PartySubaddress OPTIONAL, callingName [ 2 ] Name OPTIONAL, wtmUserSub [ 3 ] PartySubaddress OPTIONAL, argExtension WtmiExtension OPTIONAL }
InformArg ::=	SEQUENCE { wtmIdentity WtmiIdentity, -- The PISN number (always a Complete Number) -- and/or an alternative identifier of the WTMI user. argExtension WtmiExtension OPTIONAL }
EnquiryRes ::=	CHOICE { currLocation [ 1 ] IMPLICIT CurrLocation, cfuActivated [ 2 ] IMPLICIT CfuActivated }
CurrLocation ::=	SEQUENCE { visitPINX PartyNumber, -- The PISN number of the Visitor PINX, -- always a Complete Number. wtmIdentity WtmiIdentity, -- The PISN number (always a Complete Number) -- and/or an alternative identifier of the WTMI user argExtension WtmiExtension OPTIONAL }

**Table 1 - Operations in support of call handling additional network features (concluded)**

CfuActivated ::=	SEQUENCE	{ divToAddress divOptions wtmName argExtension	Address, SubscriptionOption, [ 1 ] Name OPTIONAL, WtmiExtension OPTIONAL }
SubscriptionOption ::=	ENUMERATED	{ noNotification (0), notificationWithoutDivertedToNr (1), notificationWithDivertedToNr (2) }	
DummyRes ::=	CHOICE	{ null extension sequOfExtn	NULL, [ 1 ] IMPLICIT Extension{{WTMCHExtSet}}, [ 2 ] IMPLICIT SEQUENCE OF Extension{{WTMCHExtSet}} }
WtmiExtension ::=	CHOICE	{ extension sequOfExtn	[ 4 ] IMPLICIT Extension{{WTMCHExtSet}}, [ 5 ] IMPLICIT SEQUENCE OF Extension{{WTMCHExtSet}} }
WtmiIdentity ::=	CHOICE	{ pisinNumber alternativeld both	PartyNumber, [ 10 ] IMPLICIT Alternativeld, [ 11 ] IMPLICIT SEQUENCE { pisinNumber PartyNumber, alternativeld Alternativeld }
Alternativeld ::=	OCTET STRING(SIZE(1..20))		
<i>-- Operation for ANF-WTMO --</i>			
wtmoCall	OPERATION ::= { ARGUMENT RETURN RESULT ALWAYS RESPONDS CODE	WtmoArg FALSE FALSE local: 71}	
WtmoArg ::=	SEQUENCE {  destinationNumber sendingComplete extension   }	[0] PartyNumber [1] IMPLICIT NULL CHOICE {single multiple  }	OPTIONAL, OPTIONAL, [2] IMPLICIT Extension{{WTMCHExtSet}}, [3] IMPLICIT SEQUENCE OF Extension{{WTMCHExtSet}} } OPTIONAL
WTMCHExtSet EXTENSION ::=	{...}		
unspecified	ERROR ::= { PARAMETER CODE	Extension{{WTMCHExtSet}} local: 1008}	
locationNotKnown	ERROR ::= { CODE	local: 1015}	
END	<i>-- of Wireless-Terminal-Call-Handling-Operations-asn1-97</i>		

## **6.3.2 Information elements**

### **6.3.2.1 Facility information element**

The operations defined in 6.3.1 shall be coded in the Facility information element in accordance with ECMA-165.

When conveying the invoke APDU of operations defined in 6.3.1 the destinationEntity data element of the NFE shall contain value endPINX.

When conveying the invoke APDU of operations defined in 6.3.1, the Interpretation APDU shall either be omitted or be included with value rejectAnyUnrecognisedInvokePdu.

### **6.3.2.2 Other information elements**

Any other information elements (e.g. Calling party number, Called party number) shall be coded in accordance with the rules of ECMA-143 and ECMA-165.

## **6.3.3 Messages**

The Facility information element shall be conveyed in the messages as specified in clause 10 of ECMA-165.

Messages used for call establishment shall be as specified in ECMA-143.

## **6.4 ANF-WTMI state definitions**

### **6.4.1 States at the Rerouteing PINX**

The procedures for the Rerouteing PINX are written in terms of the following conceptual states existing within the ANF-WTMI Supplementary Service Control entity in that PINX in association with a particular call.

#### **6.4.1.1 State ExecIdle**

Ready for receipt of a wtmIDivert APDU.

### **6.4.2 States at the WTMI-detect PINX**

The procedures for the WTMI-detect PINX are written in terms of the following conceptual states existing within the ANF-WTMI Supplementary Service Control entity in that PINX in association with a particular call.

#### **6.4.2.1 State WTMI-Idle**

ANF-WTMI is not operating.

#### **6.4.2.2 State WTMI-Detected**

A call to a WTMI user has been detected and a wtmIEnquiry invoke APDU requesting the current location of the WTMI user has been sent to the Home PINX.

#### **6.4.2.3 State WTMI-Divert**

The current location of the WTMI user is known and a wtmIDivert invoke APDU has been sent to the Rerouteing PINX.

### **6.4.3 States at the Home PINX**

The procedures for the Home PINX are written in terms of the following conceptual states existing within the ANF-WTMI Supplementary Service Control entity.

#### **6.4.3.1 State HomeIdle**

Ready for receipt of a wtmIEnquiry APDU.

### **6.4.4 States at the Visitor PINX**

The procedures for the Visitor PINX are written in terms of the following conceptual states existing within the ANF-WTMI Supplementary Service Control entity in that PINX in association with a particular call.

#### **6.4.4.1 State VisitIdle**

Ready for receipt of a wtmIInform APDU.

## 6.5 ANF-WTMI signalling procedures for invocation and operation

Examples of message sequences are shown in annex C.

### 6.5.1 Actions at the Rerouteing PINX

The SDL representation of procedures at the Rerouteing PINX is shown in D.1 of annex D.

#### 6.5.1.1 Normal procedures

On receipt of a wtmDivert invoke APDU in a FACILITY message during basic call protocol control state Outgoing Call Proceeding, the Rerouteing PINX shall determine whether it can proceed with ANF-WTMI. If so, it shall initiate a new call establishment to the Visitor PINX and release the leg towards the WTMI-detect PINX by sending a DISCONNECT message containing a wtmDivert return result APDU.

The SETUP message for the new call establishment shall include a wtmInform invoke APDU.

The following specific basic call information elements shall be included in the SETUP message:

- Called party number, containing the number received in the visitPINX data element within the wtmDivert invoke APDU;
- Called party subaddress, containing the subaddress received in the wtmUserSub data element within the wtmDivert invoke APDU (optional);
- Calling party number, containing the number received in the callingNumber data element within the wtmDivert invoke APDU;
- Calling party subaddress, containing the subaddress received in the callingUserSub data element within the wtmDivert invoke APDU (optional);
- Bearer capability information element as received in embedded form within the wtmDivert invoke APDU, and any of the following information elements which were also received in embedded form in this APDU: High layer compatibility, Low layer compatibility and Progress indicator information elements.

The wtmInform invoke APDU shall contain the data element wtmIdentity with the same contents as the corresponding data element in the argument of the received wtmDivert invoke APDU.

#### 6.5.1.2 Exceptional procedures

If the Rerouteing PINX can not proceed with ANF-WTMI, it shall answer the wtmDivert invoke APDU with a return error APDU containing the error notAvailable.

### 6.5.2 Actions at the WTMI-detect PINX

The SDL representation of procedures at the WTMI-detect PINX is shown in D.2 of annex D.

When a WTMI-detect PINX also provides Rerouteing PINX functionality, in support of ANF-WTMI by forward switching, the joint requirements of 6.5.1 (for a Rerouteing PINX) and 6.5.2 (for a WTMI-detect PINX) shall apply, with the exception that any communication between the WTMI-detect PINX functionality and the Rerouteing PINX functionality will be an intra-PINX matter. The messages specified for sending from the WTMI-detect PINX towards the Rerouteing PINX or vice versa will not appear on any inter-PINX link.

#### 6.5.2.1 Normal procedures

On determining that ANF-WTMI is to be invoked following the arrival of an incoming call, the WTMI-detect PINX shall send a wtmEnquiry invoke APDU to the Home PINX of the called WTMI user, using the call reference of a call independent signalling connection. The call independent signalling connection shall be established (or used, if an appropriate connection is already available) in accordance with the procedures specified in 7.3 of ECMA-165. The WTMI-detect PINX shall enter state WTMI-Detected and start timer T1.

#### *NOTE*

*The number to be used in the Called party number information element when establishing the call independent signalling connection to the Home PINX is outside the scope of this Standard. It can, for example, be the Called party number information element received in the incoming SETUP message.*

The following data elements shall be included in the argument of the wtmEnquiry invoke APDU:

- element pismNumber as received in the incoming SETUP message in the Called party number information element;
- element qSIGInfoElement containing an embedded Bearer capability information element, as received in the incoming SETUP message, and any of the following information elements which were received in the incoming SETUP message: High layer compatibility and Low layer compatibility.

On receipt of the wtmEnquiry return result APDU containing choice currLocation, the WTMI-detect PINX shall stop timer T1, send a wtmDivert invoke APDU in a FACILITY message to the Rerouting PINX using the call reference of the incoming call, start timer T2 and enter state WTMI-Divert.

The following data elements shall be included in the argument of the wtmDivert invoke APDU:

- element visitPINX as received in the wtmEnquiry return result APDU;
- element callingNumber as received in the incoming SETUP message in the Calling party number information element;
- element wtmIdentity as received in the wtmEnquiry return result APDU;
- element qSIGInfoElement containing an embedded Bearer capability information element, as received in the incoming SETUP message, and any of the following information elements which were received in the incoming SETUP message: High layer compatibility, Low layer compatibility and Progress indicator;
- element callingUserSub, if a Calling party subaddress information element was received in the incoming SETUP message;
- element wtmUserSub, if a Called party subaddress information element was received in the incoming SETUP message.

On receipt of a wtmEnquiry return result APDU containing choice cfuActivated, if the WTMI-detect PINX does not support the procedures of 6.8.6.1 the actions taken shall be an implementation matter, e.g. route the incoming call onwards to the Home PINX or release the incoming call.

The WTMI-detect PINX is responsible for clearing the call independent signalling connection towards the Home PINX. This may occur on receipt of a return result APDU. Alternatively, the signalling connection may be retained for other applications, if appropriate.

On receipt of the wtmDivert return result APDU, the WTMI-detect PINX shall stop timer T2 and enter state WTMI-Idle.

### 6.5.2.2 Exceptional procedures

On receipt of a wtmEnquiry return error APDU from the Home PINX indicating 'invalidServedUserNr', the WTMI-detect PINX shall stop timer T1, stimulate the sending of a DISCONNECT message with cause value #1 'Unallocated (unassigned) number' for release of the basic call, and enter state WTMI-Idle.

On receipt of a wtmEnquiry return error APDU from the Home PINX indicating 'locationNotKnown', the WTMI-detect PINX shall stop timer T1, stimulate the sending of a DISCONNECT message with cause value #3 'No route to destination' for release of the basic call, and enter state WTMI-Idle.

On receipt of a wtmEnquiry return error APDU from the Home PINX indicating 'notAvailable', the WTMI-detect PINX shall stop timer T1, stimulate the sending of a DISCONNECT message with cause value #20 'Subscriber absent' for release of the basic call, and enter state WTMI-Idle.

On receipt of a wtmEnquiry return error APDU from the Home PINX indicating 'basicServiceNotProvided', the WTMI-detect PINX shall stop timer T1, stimulate the sending of a DISCONNECT message with cause value #88 'Incompatible destination' for release of the basic call, and enter state WTMI-Idle.

On receipt of a wtmIEnquiry reject APDU from the Home PINX, the WTMI-detect PINX shall stop timer T1, enter state WTMI-Idle, and continue with normal basic call procedures.

If timer T1 expires (i.e. the wtmIEnquiry invoke APDU is not answered by the Home PINX), the WTMI-detect PINX shall enter state WTMI-Idle and either stimulate the sending of a DISCONNECT message with cause value #41 'Temporary failure' for release of the basic call, or continue with normal basic call procedures.

On call clearing during state WTMI-Detected, the WTMI-detect PINX shall stop timer T1 and enter state WTMI-Idle.

On receipt of a wtmIDivert return error or reject APDU from the Rerouteing PINX, the WTMI-detect PINX shall stop timer T2, enter state WTMI-Idle, and either stimulate the sending of a DISCONNECT message for release of the basic call, or provide Rerouteing PINX functionality locally by initiating a new call establishment to the Visitor PINX in accordance with 6.5.1.1.

If timer T2 expires (i.e. the wtmIDivert invoke APDU is not answered by the Rerouteing PINX), the WTMI-detect PINX shall enter state WTMI-Idle and either stimulate the sending of a DISCONNECT message for release of the basic call, or provide Rerouteing PINX functionality locally by initiating a new call establishment to the Visitor PINX in accordance with 6.5.1.1.

On call clearing during state WTMI-Divert, the WTMI-detect PINX shall stop timer T2 and enter state WTMI-Idle.

The WTMI-detect PINX is responsible for clearing the call independent signalling connection towards the Home PINX. This may occur on receipt of a return error or reject APDU, on expiry of timer T1 or on call clearing during state WTMI-Detect. Alternatively, the signalling connection may be retained for other applications, if appropriate.

### **6.5.3 Actions at the Home PINX**

The SDL representation of procedures at the Home PINX is shown in D.3 of annex D.

When a Home PINX also provides WTMI-detect PINX functionality, in support of ANF-WTMI, the joint requirements of 6.5.2 (for a WTMI-detect PINX) and 6.5.3 (for a Home PINX) shall apply, with the exception that any communication between the Home PINX functionality and the WTMI-detect PINX functionality will be an intra-PINX matter. The messages specified for sending from the Home PINX towards the WTMI-detect PINX or vice versa will not appear on any inter-PINX link.

#### **6.5.3.1 Normal procedures**

On receipt of a wtmIEnquiry invoke APDU using the call reference of a call independent signalling connection (as specified in 7.3 of ECMA-165), the Home PINX shall check that the WTMI user, as identified by the PISN number in element pISNNumber, is defined in the HDB and that the basic service indicated by the basic call information elements embedded in element qSIGInfoElement is provided to that user.

If the WTMI user is defined in the HDB, and the current location of the WTMI user is known for the basic service concerned, then the Home PINX shall answer the wtmIEnquiry invoke APDU with a return result APDU containing choice currLocation. Element visitPINX shall contain the PISN number of the Visitor PINX and element wtmIdentity shall contain the PISN number and/or an alternative identifier of the WTMI user. The PISN number, if included, shall be in the form of a complete number even if the PISN number received in the invoke APDU was not a complete number.

#### **6.5.3.2 Exceptional procedures**

If the WTMI user is not found in the HDB, the Home PINX shall answer the wtmIEnquiry invoke APDU with a return error APDU containing the error invalidServedUserNr.

If the WTMI user has deregistered, the Home PINX shall answer the wtmIEnquiry invoke APDU with a return error APDU containing the error notAvailable.

If the current location of the WTMI user is unknown, the Home PINX shall answer the wtmIEnquiry invoke APDU with a return error APDU containing the error locationNotKnown.

If the requested basic service is not provided, the Home PINX shall answer the wtmIEnquiry invoke APDU with a return error APDU containing the error basicServiceNotProvided.

### **6.5.3.3 Additional procedures for Call Forwarding Unconditional**

On receipt of a wtmEnquiry invoke APDU, if the WTMI user is defined in the HDB and SS-CFU is active, the Home PINX shall answer the wtmEnquiry invoke APDU with a return result APDU containing choice cfuActivated.

### **6.5.4 Actions at the Visitor PINX**

The SDL representation of procedures at the Visitor PINX is shown in D.4 of annex D.

#### **6.5.4.1 Normal procedures**

On receipt of a wtmInform invoke APDU in a SETUP message, the Visitor PINX shall check that there is an entry in the VDB for the WTMI user, as indicated by the PISN number or alternative identifier in element wtmIdentity, for the basic service indicated by basic call information elements, and that the WTMI user is accessible. If so, the Visitor PINX shall attempt to establish the call to the PISN access indicated by the VDB entry.

#### *NOTE*

*On receipt of an incoming call authentication of the WTMI user can be performed.*

#### **6.5.4.2 Exceptional procedures**

If the WTMI user is not found in the VDB, the Visitor PINX shall initiate call clearing according to the procedures in ECMA-143 with cause value #41 'Temporary failure'.

If the WTMI user is not accessible, the Visitor PINX shall initiate call clearing according to the procedures in ECMA-143 with cause value #18 'No user responding'.

### **6.5.5 Actions at a Transit PINX**

There are no special actions required in support of ANF-WTMI.

### **6.5.6 Actions at an Originating PINX**

An Originating PINX shall act as the Rerouteing PINX in accordance with 6.5.1, except where Rerouteing PINX functionality is provided at a separate WTMI-detect PINX.

## **6.6 ANF-WTMI impact of interworking with public ISDNs**

When interworking with a public ISDN which does not support an equivalent feature, the Incoming Gateway PINX shall act as the Rerouteing PINX in accordance with 6.5.1 in order to perform ANF-WTMI within the PISN, except where Rerouteing PINX functionality is provided at a separate WTMI-detect PINX.

## **6.7 ANF-WTMI impact of interworking with non-ISDNs**

When interworking with a non-ISDN which does not support an equivalent feature, the Incoming Gateway PINX shall act as the Rerouteing PINX in accordance with 6.5.1 in order to perform ANF-WTMI within the PISN, except where Rerouteing PINX functionality is provided at a separate WTMI-detect PINX.

## **6.8 Protocol interactions between ANF-WTMI and other supplementary services and ANFs**

This clause specifies protocol interactions with other supplementary services and ANFs for which stage 3 standards had been published at the time of publication of this Standard. For interactions with supplementary services and ANFs for which stage 3 standards are published subsequent to the publication of this Standard, see those other stage 3 standards.

#### *NOTE 1*

*Additional interactions that have no impact on the signalling protocol at the Q reference point can be found in the relevant stage 1 specifications.*

#### *NOTE 2*

*Simultaneous conveyance of APDUs for ANF-WTMI and other supplementary services or ANFs in the same message, each in accordance with the requirements of its respective stage 3 standard, does not, on its own, constitute a protocol interaction.*

### **6.8.1 Interaction with Calling Name Identification Presentation (SS-CNIP)**

The following interaction shall apply if SS-CNIP is supported in accordance with ECMA-164.

#### **6.8.1.1 Actions at the Rerouteing PINX**

When executing ANF-WTMI, the Rerouteing PINX shall include a callingName invoke APDU in the SETUP message to the Visitor PINX if this was included in the original SETUP message to the WTMI-detect PINX.

#### **6.8.2 Interaction with Connected Name Identification Presentation (SS-CONP)**

No protocol interaction.

#### **6.8.3 Interaction with Call Completion to Busy Subscriber (SS-CCBS)**

No protocol interaction.

#### **6.8.4 Interaction with Call Completion on No Reply (SS-CCNR)**

No protocol interaction.

#### **6.8.5 Interaction with Call Transfer (SS-CT)**

No protocol interaction.

#### **6.8.6 Interaction with Call Forwarding Unconditional (SS-CFU)**

The following interaction shall apply if SS-CFU is supported in accordance with ECMA-174.

##### **6.8.6.1 Actions at the WTMI-detect PINX**

On receipt of a wtmEnquiry return result APDU containing choice cfuActivated, the WTMI-detect PINX shall stop timer T1 and act as the Served User PINX for SS-CFU in accordance with 6.5.3 of ECMA-174.

The WTMI-detect PINX is responsible for clearing the call independent signalling connection towards the Home PINX. This may occur on receipt of a return result APDU. Alternatively, the signalling connection may be retained for other applications, if appropriate.

#### **6.8.7 Interaction with Call Forwarding Busy (SS-CFB)**

No protocol interaction.

#### **6.8.8 Interaction with Call Forwarding No Reply (SS-CFNR)**

No protocol interaction.

#### **6.8.9 Interaction with Call Deflection (SS-CD)**

No protocol interaction.

#### **6.8.10 Interaction with Path Replacement (ANF-PR)**

No protocol interaction.

#### **6.8.11 Interaction with Call Offer (SS-CO)**

The following interaction shall apply if SS-CO is supported in accordance with ECMA-192.

##### **6.8.11.1 Actions at the Rerouteing PINX**

When executing ANF-WTMI, the Rerouteing PINX shall act as follows:

- include a callOfferRequest invoke APDU in the SETUP message to the Visitor PINX if this was included in the original SETUP message to the WTMI-detect PINX;
- include a pathRetain invoke APDU with callOffer bit set to ONE in the SETUP message to the Visitor PINX if this was included in the original SETUP message to the WTMI-detect PINX.

#### **6.8.12 Interaction with Call Intrusion (SS-CI)**

The following interaction shall apply if SS-CI is supported in accordance with ECMA-203.

##### **6.8.12.1 Actions at the Rerouteing PINX**

When executing ANF-WTMI, the Rerouteing PINX shall act as follows:

- include a callIntrusionRequest invoke APDU in the SETUP message to the Visitor PINX if this was included in the original SETUP message to the WTMI-detect PINX;



- include a pathRetain invoke APDU with bit ci-low, ci-medium or ci-high set to ONE in the SETUP message to the Visitor PINX if this was included in the original SETUP message to the WTMI-detect PINX.

#### **6.8.13 Interaction with Do Not Disturb (SS-DND)**

No protocol interaction.

#### **6.8.14 Interaction with Do Not Disturb Override (SS-DNDO)**

The following interaction shall apply if SS-DNDO is supported in accordance with ECMA-194.

##### **6.8.14.1 Actions at the Rerouting PINX**

When executing ANF-WTMI, the Rerouting PINX shall act as follows:

- include a doNotDisturbOverrideQ invoke APDU in the SETUP message to the Visitor PINX if this was included in the original SETUP message to the WTMI-detect PINX;
- include a pathRetain invoke APDU with bit dndo-low, dndo-medium or dndo-high set to ONE in the SETUP message to the Visitor PINX if this was included in the original SETUP message to the WTMI-detect PINX.

#### **6.8.15 Interaction with Advice Of Charge (SS-AOC)**

The following interaction shall apply if SS-AOC is supported in accordance with ECMA-212.

##### **6.8.15.1 Actions at the Rerouting PINX**

When executing ANF-WTMI, the Rerouting PINX shall include a chargeRequest invoke APDU in the SETUP message to the Visitor PINX if this was included in the original SETUP message to the WTMI-detect PINX.

#### **6.8.16 Interaction with Recall (SS-RE)**

No protocol interaction.

#### **6.8.17 Interaction with Call Interception (ANF-CINT)**

No protocol interaction.

#### **6.8.18 Interaction with Transit Counter (ANF-TC)**

The following interaction shall apply if ANF-TC is supported in accordance with ECMA-225.

##### **6.8.18.1 Actions at the Rerouting PINX**

When executing ANF-WTMI, the Rerouting PINX may include a Transit counter information element in the SETUP message to the Visitor PINX. The value of the transit count field shall be zero.

#### **6.8.19 Interaction with Route Restriction Class (ANF-RRC)**

The following interaction shall apply if ANF-RRC is supported in accordance with ISO/IEC 13241.

##### **6.8.19.1 Actions at the Rerouting PINX**

When executing ANF-WTMI, the Rerouting PINX shall include a routeRestrictionClass invoke APDU in the SETUP message to the Visitor PINX if this was included in the original SETUP message to the WTMI-detect PINX. The element rac shall be the Route Access Class of either the calling user or the WTMI user.

##### **6.8.19.2 Actions at the WTMI-detect PINX**

The WTMI-detect PINX may include a routeRestrictionClass invoke APDU, with element rac containing the Route Access Class of the WTMI user, together with the wtmDivert invoke APDU in the FACILITY message to the Rerouting PINX.

##### **6.8.19.3 Actions at the Home PINX**

The Home PINX may include a routeRestrictionClass invoke APDU, with element rac containing the Route Access Class of the WTMI user, together with the wtmEnquiry return result APDU in the message to the WTMI-detect PINX.

#### **6.8.20 Interaction with Message Waiting Indication (SS-MWI)**

The following interaction shall apply if SS-MWI is supported in accordance with ECMA-242.

#### **6.8.20.1 Actions at the Rerouteing PINX**

On receipt of a wtmIDivert invoke APDU using the call reference of a call independent signalling connection which conveys a mwiActivate or mwiDeactivate invoke APDU, the Rerouteing PINX shall act in accordance with 6.5.1, except that basic call procedures are replaced by the corresponding procedures for call independent signalling connections as specified in ECMA-165 clause 7.3, and include the mwiActivate / mwiDeactivate invoke APDU in the SETUP message sent to the Visitor PINX.

#### **6.8.20.2 Actions at the WTMI-detect PINX**

On receipt of a SETUP message for a call independent signalling connection containing a mwiActivate or mwiDeactivate invoke APDU the WTMI-detect PINX shall act in accordance with 6.5.2, except that basic call procedures are replaced by the corresponding procedures for call independent signalling connections as specified in ECMA-165 clause 7.3.

#### **6.8.20.3 Actions at the Home PINX**

On receipt of a FACILITY message using the call reference of a call independent signalling connection and containing a mwiActivate or mwiDeactivate invoke APDU, the Home PINX shall forward the mwiActivate / mwiDeactivate invoke APDU to the Visitor PINX, using a call independent signalling connection. The Home PINX shall also forward to the Message Centre PINX any mwiActivate / mwiDeactivate return result, return error or reject APDU subsequently returned by the Visitor PINX.

##### *NOTE*

*Other actions, e.g. recording the status of SS-MWI for the WTMI user, are outside the scope of this Standard.*

#### **6.8.20.4 Actions at the Visitor PINX**

The Visitor PINX shall act as the SS-MWI Served User PINX for a visiting WTMI user which is also a served user of SS-MWI.

##### *NOTE*

*A message waiting indication may be lost if the WTMI user moves or has moved to another location.*

#### **6.8.21 Interaction with Wireless Terminal Location Registration (SS-WTLR)**

No protocol interaction.

#### **6.8.22 Interaction with Wireless Terminal Information (ANF-WTINFO)**

No protocol interaction.

#### **6.8.23 Interaction with Wireless Terminal Outgoing Call (ANF-WTMO)**

The following interaction shall apply if ANF-WTMO is supported in accordance with clause 7.

##### **6.8.23.1 Actions at the WTMI-detect PINX**

If a SETUP message contains a wtmOCall invoke APDU then ANF-WTMI shall not be invoked on this call.

#### **6.8.24 Interaction with Wireless Terminal Authentication of the Terminal (SS-WTAT)**

No protocol interaction.

#### **6.8.25 Interaction with Wireless Terminal Authentication of the Network (SS-WTAN)**

No protocol interaction.

### **6.9 ANF-WTMI parameter values (timers)**

#### **6.9.1 Timer T1**

Timer T1 operates at the WTMI-detect PINX during state WTMI-Detected. Its purpose is to protect against the absence of a response to the wtmIEnquiry invoke APDU.

Timer T1 shall have a value not less than 15 s.

### 6.9.2 Timer T2

Timer T2 operates at the WTMI-detect PINX during state WTMI-Divert. Its purpose is to protect against the absence of a response to the wtmiDivert invoke APDU.

Timer T2 shall have a value not less than 15 s.

## 7 Signalling protocol for the support of ANF-WTMO

### 7.1 ANF-WTMO description

ANF-WTMO permits the PISN to process call requests from a WTMO user at the home location, if required.

#### *NOTE*

*Further actions that may be performed at the visited location - verification of the WTMO user's identity, local access to the service profile, local call processing - are outside the scope of this Standard.*

### 7.2 ANF-WTMO operational requirements

#### 7.2.1 Requirements on the Originating PINX

Call establishment procedures for the outgoing side of an inter-PINX link and call release procedures, as specified in ECMA-143, shall apply.

Generic procedures for the call related control of supplementary services, as specified in ECMA-165 for an End PINX, shall apply.

#### 7.2.2 Requirements on the Home PINX

Call establishment procedures for the incoming and outgoing side of an inter-PINX link and call release procedures, as specified in ECMA-143, shall apply.

Generic procedures for the call related control of supplementary services, as specified in ECMA-165 for an End PINX, shall apply.

#### 7.2.3 Requirements on a Transit PINX

Basic call procedures for call establishment and call clearing at a Transit PINX, as specified in ECMA-143, shall apply.

Generic procedures for the call related control of supplementary services, as specified in ECMA-165 for a Transit PINX, shall apply.

### 7.3 ANF-WTMO coding requirements

#### 7.3.1 Operations

The operation wtmoCall defined in Abstract Syntax Notation number 1 (ASN.1) in 6.3.1, table 1, shall apply.

#### 7.3.2 Information elements

##### 7.3.2.1 Facility information element

The operation defined in 7.3.1 shall be coded in the Facility information element in accordance with ECMA-165.

The Facility information element shall always contain an NFE with the destinationEntity element having value endPINX.

A Facility information element conveying a wtmoCall invoke APDU shall also contain an Interpretation APDU with value clearCallIfAnyInvokePduNotRecognised, if sent in a SETUP message. If sent in a FACILITY message, the Interpretation APDU shall either be omitted or included with value rejectAnyUnrecognisedInvokePdu.

##### 7.3.2.2 Other information elements

Any other information elements (e.g. Calling party number, Called party number) shall be coded in accordance with the rules of ECMA-143 and ECMA-165.

### 7.3.3 Messages

The Facility information element shall be conveyed in the messages as specified in clause 10 of ECMA-165.

## 7.4 ANF-WTMO state definitions

### 7.4.1 States at the Originating PINX

The procedures for the Originating PINX are written in terms of the following conceptual states existing within the ANF-WTMO Supplementary Service Control entity in that PINX in association with a particular WTMO Request.

#### 7.4.1.1 WTMO-Idle

ANF-WTMO is not operating.

### 7.4.2 States at the Home PINX

The procedures for the Home PINX are written in terms of the following conceptual states existing within the ANF-WTMO Supplementary Service Control entity in that PINX in association with a particular WTMO Request.

#### 7.4.2.1 WTMO-Idle

Ready for receipt of a wtmoCall invoke APDU.

#### 7.4.2.2 WTMO-Await-Info

Further address information can be received in overlap mode.

## 7.5 ANF-WTMO signalling procedures

Examples of message sequences are shown in annex C.

### 7.5.1 Actions at the Originating PINX

The SDL representation of procedures at the Originating PINX is shown in D.5 of annex D.

#### 7.5.1.1 Normal procedures

If the Originating PINX decides to pass to the Home PINX for processing a call request that was initiated by the WTMO user, the Originating PINX shall send a SETUP message according to ECMA-143 to the Home PINX. The SETUP message shall contain a wtmoCall invoke APDU, in the Calling party number information element the number of the WTMO user, and in the Called party number information element a number sufficient to route to the WTMO user's Home PINX. If (part of) the intended destination number is already available it shall be included in element destinationNumber of the invoke APDU's argument. If the destination number is complete, element sendingComplete may also be included in the argument.

#### *NOTE*

*The number to be used in the Called party number information element is outside the scope of this Standard. It could, for example, be the number of the WTMO user.*

Subsequently, if the destination number sent in the SETUP message was not complete, additional address information from the WTMO user shall be included in the argument of wtmoCall invoke APDUs, which shall be sent to the Home PINX in FACILITY messages, with the digit(s) encoded in element destinationNumber. The end of number information transmission may be indicated to the Home PINX by means of a sendingComplete element.

#### 7.5.1.2 Exceptional procedures

Not applicable.

### 7.5.2 Actions at the Home PINX

The SDL representation of procedures at the Home PINX is shown in D.6 of annex D.

#### 7.5.2.1 Normal procedures

If on receipt of a SETUP message with a wtmoCall invoke APDU enough digits of the destination number are present in the argument of the APDU to select a route for call extension, the Home PINX shall initiate call establishment towards the intended destination in accordance with ECMA-143 and

join the two call legs. If the destination number is not complete, the Home PINX shall enter state WTMO-Await-Info, optionally send a PROGRESS message with progress description number 8 to the Originating PINX to stop T310 at Transit PINXs, and start timer T3. Otherwise it shall remain in state WTMO-Idle.

**NOTE**

*The only purpose of this progress description is to stop timer T310. It does not mean that in-band information is necessarily provided.*

While in state WTMO-Await-Info, additional number information received as argument of wtmocall invoke APDUs in a FACILITY message shall be used to select a route for call extension or, if the call has already been extended, passed on to the Subsequent PINX in accordance with ECMA-143. If the Home PINX regards the number information complete it shall stop timer T3, initiate call establishment towards the intended destination in accordance with ECMA-143 if not already done, join the two call legs, and return to state WTMO-Idle. Otherwise it shall restart timer T3 and stay in state WTMO-Await-Info.

If a sendingComplete element is contained in a wtmocall invoke APDU received while in state WTMO-Await-Info, the Home PINX shall process any number information present in the argument, stop timer T3, initiate call establishment towards the intended destination in accordance with ECMA-143 if not already done, join the two call legs, and return to state WTMO-Idle.

#### **7.5.2.2 Exceptional procedures**

If timer T3 expires the Home PINX shall return to state WTMO-Idle and

- if the number information received so far is considered sufficient, initiate call establishment towards the intended destination in accordance with ECMA-143, if not already done, and join the two call legs;
- if the information is not sufficient to proceed, initiate call clearing with an appropriate cause value, e.g. #28 'invalid number format (address incomplete)'.

A wtmocall invoke APDU received in a FACILITY message while in state WTMO-Idle shall be ignored.

#### **7.5.3 Actions at the Transit PINX**

No special actions are required for ANF-WTMO.

#### **7.6 ANF-WTMO impact of interworking with public ISDNs**

Not applicable.

#### **7.7 ANF-WTMO impact of interworking with non-ISDNs**

Not applicable.

#### **7.8 Protocol interactions between ANF-WTMO and other supplementary services and ANFs**

This clause specifies protocol interactions with other supplementary services and ANFs for which stage 3 standards had been published at the time of publication of this Standard. For interactions with supplementary services and ANFs for which stage 3 standards are published subsequent to the publication of this Standard, see those other stage 3 standards.

**NOTE 1**

*Additional interactions that have no impact on the signalling protocol at the Q reference point can be found in the relevant stage 1 specifications.*

**NOTE 2**

*Simultaneous conveyance of APDUs for ANF-WTMO and another supplementary service or ANF in the same message, each in accordance with the requirements of its respective stage 3 standard, does not, on its own, constitute a protocol interaction.*

**NOTE 3**

*The transmission of a Facility information element on one leg as a result of receiving a Facility information element on the other leg does not constitute a protocol interaction.*

*NOTE 4*

*If the Home PINX acts as the Originating PINX with regards to supplementary services is outside the scope of this Standard.*

**7.8.1 Interaction with Calling Name Identification Presentation (SS-CNIP)**

The following interaction shall apply if SS-CNIP is supported in accordance with ECMA-164.

**7.8.1.1 Actions at the Home PINX**

The Home PINX may include a callingName invoke APDU in the SETUP message, indicating the name of the WTMO user.

**7.8.2 Interaction with Connected Name Identification Presentation (SS-CONP)**

No protocol interaction.

**7.8.3 Interaction with Call Completion to Busy Subscriber (SS-CCBS)**

No protocol interaction.

**7.8.4 Interaction with Call Completion on No Reply (SS-CCNR)**

No protocol interaction.

**7.8.5 Interaction with Call Transfer (SS-CT)**

No protocol interaction.

**7.8.6 Interaction with Call Diversion (SS-CFU, SS-CFB, SS-CFNR, SS-CD)**

The following interaction shall apply if call diversion is supported in accordance with ECMA-174.

**7.8.6.1 Actions at the Home PINX**

On receipt of a callRerouting invoke APDU the Home PINX may act as the Rerouting PINX.

**7.8.7 Interaction with Path Replacement (ANF-PR)**

The following interaction shall apply if ANF-PR is supported in accordance with ECMA-176.

**7.8.7.1 Actions at the Home PINX**

The Home PINX may act as the Cooperating PINX when receiving a prPropose invoke APDU from either side.

**7.8.8 Interaction with Call Offer (SS-CO)**

No protocol interaction.

**7.8.9 Interaction with Call Intrusion (SS-CI)**

No protocol interaction.

**7.8.10 Interaction with Do Not Disturb (SS-DND)**

No protocol interaction.

**7.8.11 Interaction with Do Not Disturb Override (SS-DNDO)**

No protocol interaction.

**7.8.12 Interaction with Advice of Charge (SS-AOC)**

No protocol interaction.

**7.8.13 Interaction with Recall (SS-RE)**

No protocol interaction.

**7.8.14 Interaction with Call Interception (ANF-CINT)**

The following interaction shall apply if ANF-CINT is supported in accordance with ECMA-221.

**7.8.14.1 Actions at the Home PINX**

The Home PINX may act as Intercepting PINX.

**7.8.15 Interaction with Transit Counter (ANF-TC)**

The following interaction shall apply if ANF-TC is supported in accordance with ECMA-225.

#### **7.8.15.1 Actions at the Home PINX**

When executing ANF-WTMO, the Home PINX may include a Transit counter information element in the SETUP message.

#### **7.8.16 Interaction with Route Restriction Class (ANF-RRC)**

The following interaction shall apply if ANF-RRC is supported in accordance with ISO/IEC 13241.

##### **7.8.16.1 Actions at the Home PINX**

When executing ANF-WTMO, the Home PINX may include a routeRestrictionClass invoke APDU in the SETUP message, indicating the Route Access Class of the WTMO user.

#### **7.8.17 Interaction with Message Waiting Indication (SS-MWI)**

No protocol interaction.

#### **7.8.18 Interaction with Wireless Terminal Location Registration (SS-WTLR)**

No protocol interaction.

#### **7.8.19 Interaction with Wireless Terminal Information (ANF-WTINFO)**

No protocol interaction.

#### **7.8.20 Interaction with Wireless Terminal Incoming Call (ANF-WTMI)**

This interaction is specified in 6.8.23.1.

#### **7.8.21 Interaction with Wireless Terminal Authentication of the Terminal (SS-WTAT)**

No protocol interaction.

#### **7.8.22 Interaction with Wireless Terminal Authentication of the Network (SS-WTAN)**

No protocol interaction.

### **7.9 Parameter values (timers)**

#### **7.9.1 Timers at the Originating PINX**

None.

#### **7.9.2 Timers at the Home PINX**

##### **T3 Information receiving**

This timer is started on receipt of the first wtmoCall invoke APDU with incomplete number information, restarted on receipt of a further wtmoCall invoke APDU with incomplete number information, and stopped when a wtmoCall invoke APDU containing final number information or an element sendingComplete is received.

On expiry of timer T3 the call is either cleared or proceeds as normal basic call.

The value of timer T3 should be in the range 14 - 16 seconds.





## **Annex A** (normative)

### **Protocol Implementation Conformance Statement (PICS) proforma**

#### **A.1 Introduction**

The supplier of a protocol implementation which is claimed to conform to this Standard shall complete the following Protocol Implementation Conformance Statement (PICS) proforma.

A completed PICS proforma is the PICS for the implementation in question. The PICS is a statement of which capabilities and options of the protocol have been implemented. The PICS can have a number of uses, including use:

- by the protocol implementor, as a check list to reduce the risk of failure to conform to the standard through oversight;
- by the supplier and acquirer, or potential acquirer, of the implementation, as a detailed indication of the capabilities of the implementation, stated relative to the common basis for understanding provided by the Standard's PICS proforma;
- by the user or potential user of the implementation, as a basis for initially checking the possibility of interworking with another implementation - while interworking can never be guaranteed, failure to interwork can often be predicted from incompatible PICS's.
- by a protocol tester, as the basis for selecting appropriate tests against which to assess the claim for conformance of the implementation.

#### **A.2 Instructions for completing the PICS proforma**

##### **A.2.1 General structure of the PICS proforma**

The PICS proforma is a fixed format questionnaire divided into subclauses each containing a group of individual items. Each item is identified by an item number, the name of the item (question to be answered), and the reference(s) to the clause(s) specifying the item in the main body of this Standard.

The "Status" column indicates whether an item is applicable and if so whether support is mandatory or optional. The following terms are used:

- |          |   |
|----------|---|
| m        | mandatory (the capability is required for conformance to the protocol);   |
| o        | optional (the capability is not required for conformance to the protocol, but if the capability is implemented it is required to conform to the protocol specifications); |
| o.<n>    | optional, but support of at least one of the group of options labelled by the same numeral <n> is required;   |
| x        | prohibited;   |
| c.<cond> | conditional requirement, depending on support for the item or items listed in condition <cond>;   |
| <item>:m | simple conditional requirement, the capability being mandatory if item number <item> is supported, otherwise not applicable;  |
| <item>:o | simple conditional requirement, the capability being optional if item number <item> is supported, otherwise not applicable.   |

Answers to the questionnaire items are to be provided either in the "Support" column, by simply marking an answer to indicate a restricted choice (Yes or No), or in the "Not Applicable" column (N/A).

### **A.2.2 Additional information**

Items of Additional information allow a supplier to provide further information intended to assist the interpretation of the PICS. It is not intended or expected that a large quantity will be supplied, and a PICS can be considered complete without any such information. Examples might be an outline of the ways in which a (single) implementation can be set up to operate in a variety of environments and configurations.

References to items of Additional information may be entered next to any answer in the questionnaire, and may be included in items of Exception information.

### **A.2.3 Exception information**

It may occasionally happen that a supplier will wish to answer an item with mandatory or prohibited status (after any conditions have been applied) in a way that conflicts with the indicated requirement. No pre-printed answer will be found in the Support column for this. Instead, the supplier is required to write into the Support column an x.<i> reference to an item of Exception information, and to provide the appropriate rationale in the Exception item itself.

An implementation for which an Exception item is required in this way does not conform to this Standard. A possible reason for the situation described above is that a defect in the Standard has been reported, a correction for which is expected to change the requirement not met by the implementation.

### A.3 PICS proforma for ANF-WTMI

#### A.3.1 Implementation identification

Supplier	
Contact point for queries about the PICS	
Implementation Name(s) and Version(s)	
Other information necessary for full identification, e.g., name(s) and version(s) for machines and/or operating systems; system name(s)	

Only the first three items are required for all implementations; other information may be completed as appropriate in meeting the requirement for full identification.

The terms Name and Version should be interpreted appropriately to correspond with a supplier's terminology (e.g., Type, Series, Model).

#### A.3.2 Protocol summary

Protocol Version	1.0
Addenda Implemented (if applicable)	
Amendments Implemented	
Have any exception items been required (see A.2.3) ?	No [ ] Yes [ ]  (The answer YES means that the implementation does not conform to this Standard)
Date of Statement	

### A.3.3 General

Item	Question/feature	References	Status	N/A	Support
A1	Support of ANF-WTMI, call rerouteing		o.1		Yes [ ] No [ ]
A2	Support of ANF-WTMI, forward switching		o.1		Yes [ ] No [ ]
A3	Behaviour as WTMI-detect PINX		o.2		Yes [ ] No [ ]
A4	Behaviour as Home PINX for ANF-WTMI		o.2		Yes [ ] No [ ]
A5	Behaviour as Visitor PINX for ANF-WTMI		o.2		Yes [ ] No [ ]
A6	Behaviour as Originating PINX for ANF-WTMI		o.2		Yes [ ] No [ ]
A7	Behaviour as Incoming Gateway PINX		o.2		Yes [ ] No [ ]
A8	Behaviour as Rerouteing PINX		c.1	[ ]	m: Yes [ ]
A9	Support of relevant procedures of ECMA-143 and ECMA-165	6.2	m		Yes [ ]

c1: if (A1 and (A6 or A7)) or (A2 and A3) then mandatory else N/A

### A.3.4 Procedures

Item	Question/feature	References	Status	N/A	Support
B1	Signalling procedures at a Rerouteing PINX	6.5.1	A8:m	[ ]	m: Yes [ ]
B2	Signalling procedures at a WTMI-detect PINX	6.5.2	A3:m	[ ]	m: Yes [ ]
B3	Signalling procedures at a Home PINX	6.5.3.1 6.5.3.2	A4:m	[ ]	m: Yes [ ]
B4	Signalling procedures at a Visitor PINX	6.5.4	A5:m	[ ]	m: Yes [ ]
B5	Additional procedures at a Home PINX for Call Forwarding Unconditional	6.5.3.3	A4:o	[ ]	o: Yes [ ] No [ ]

### A.3.5 Coding

Item	Question/feature	References	Status	N/A	Support
C1	Receipt of wtmiDivert invoke APDU and sending of return result and return error APDUs	6.3	c.1	[ ]	m: Yes [ ]
C2	Sending of wtmiInform invoke APDU	6.3	A8:m	[ ]	m: Yes [ ]
C3	Sending of wtmiEnquiry invoke APDU and receipt of return result and return error APDUs	6.3	A3:m	[ ]	m: Yes [ ]
C4	Sending of wtmiDivert invoke APDU and receipt of return result and return error APDUs	6.3	c.2	[ ]	m: Yes [ ]
C5	Receipt of wtmiEnquiry invoke APDU and sending of return result and return error APDUs	6.3	A4:m	[ ]	m: Yes [ ]
C6	Receipt of wtmiInform invoke APDU	6.3	A5:m	[ ]	m: Yes [ ]

c.1: if A1 and A8 then mandatory else N/A

c.2: if A1 and A3 then mandatory else N/A

### A.3.6 Timers

Item	Question/feature	References	Status	N/A	Support
D1	Support of Timer T1	6.9.1	A3:m	[ ]	m: Yes [ ] Value [ . . . ]
D2	Support of Timer T2	6.9.2	c.1	[ ]	m: Yes [ ] Value [ . . . ]

c.1: if A1 and A3 then mandatory else N/A

### A.3.7 Interactions between ANF-WTMI and SS-CNIP

Item	Question/feature	References	Status	N/A	Support
E1	Support of SS-CNIP	ECMA-164	o		Yes [ ] No [ ]
E2	Interactions at Rerouting PINX	6.8.1.1	c.1	[ ]	m: Yes [ ]

c.1: if E1 and A8 then mandatory, else N/A

### A.3.8 Interactions between ANF-WTMI and SS-CFU

Item	Question/feature	References	Status	N/A	Support
F1	Support of SS-CFU	ECMA-174	o		Yes [ ] No [ ]
F2	Interactions at WTMI-detect PINX	6.8.6.1	c.1	[ ]	m: Yes [ ]

c.1: if F1 and A3 then mandatory, else N/A

### A.3.9 Interactions between ANF-WTMI and SS-CO

Item	Question/feature	References	Status	N/A	Support
G1	Support of SS-CO	ECMA-192	o		Yes [ ] No [ ]
G2	Interactions at Rerouteing PINX	6.8.11.1	c.1	[ ]	m: Yes [ ]

c.1: if G1 and A8 then mandatory, else N/A

### A.3.10 Interactions between ANF-WTMI and SS-CI

Item	Question/feature	References	Status	N/A	Support
H1	Support of SS-CI	ECMA-203	o		Yes [ ] No [ ]
H2	Interactions at Rerouteing PINX	6.8.12.1	c.1	[ ]	m: Yes [ ]

c.1: if H1 and A8 then mandatory, else N/A

### A.3.11 Interactions between ANF-WTMI and SS-DNDO

Item	Question/feature	References	Status	N/A	Support
I1	Support of SS-DNDO	ECMA-194	o		Yes [ ] No [ ]
I2	Interactions at Rerouteing PINX	6.8.14.1	c.1	[ ]	m: Yes [ ]

c.1: if I1 and A8 then mandatory, else N/A

### A.3.12 Interactions between ANF-WTMI and SS-AOC

Item	Question/feature	References	Status	N/A	Support
J1	Support of SS-AOC	ECMA-212	o		Yes [ ] No [ ]
J2	Interactions at Rerouteing PINX	6.8.15.1	c.1	[ ]	m: Yes [ ]

c.1: if J1 and A8 then mandatory, else N/A

### A.3.13 Interactions between ANF-WTMI and ANF-TC

Item	Question/feature	References	Status	N/A	Support
K1	Support of ANF-TC	ECMA-225	o		Yes [ ] No [ ]
K2	Interactions at Rerouteing PINX	6.8.18.1	c.1	[ ]	o: Yes [ ] No [ ]

c.1: if K1 and A8 then optional, else N/A

### A.3.14 Interactions between ANF-WTMI and ANF-RRC

Item	Question/feature	References	Status	N/A	Support
L1	Support of ANF-RRC	ISO/IEC 13241	o		Yes [ ] No [ ]
L2	Interactions at Rerouteing PINX	6.8.19.1	c.1	[ ]	m: Yes [ ]
L3	Interactions at WTMI-detect PINX	6.8.19.2	c.2	[ ]	o: Yes [ ] No [ ]
L4	Interactions at Home PINX	6.8.19.3	c.3	[ ]	o: Yes [ ] No [ ]

c.1: if L1 and A8 then mandatory, else N/A

c.2: if L1 and A3 then optional, else N/A

c.3: if L1 and A4 then optional, else N/A

### A.3.15 Interactions between ANF-WTMI and SS-MWI

Item	Question / feature	References	Status	N/A	Support
M1	Support of SS-MWI	ECMA-242	o		Yes [ ] No [ ]
M2	Interactions at Rerouteing PINX	6.8.20.1	c.1	[ ]	m: Yes [ ]
M3	Interactions at WTMI-detect PINX	6.8.20.2	c.2	[ ]	m: Yes [ ]
M4	Interactions at Home PINX	6.8.20.3	c.3	[ ]	m: Yes [ ]
M5	Interactions at Visitor PINX	6.8.20.4	c.4	[ ]	m: Yes [ ]

c.1: if M1 and A8 then mandatory, else N/A

c.2: if M1 and A3 then mandatory, else N/A

c.3: if M1 and A4 then mandatory, else N/A

c.4: if M1 and A5 then mandatory, else N/A

### A.3.16 Interactions between ANF-WTMI and ANF-WTMO

Item	Question / feature	References	Status	N/A	Support
N1	Support of ANF-WTMO	7	o		Yes [ ] No [ ]
N2	Interactions at WTMI-detect PINX	6.8.23.1	c.1	[ ]	m: Yes [ ]

c.1: if M1 and A3 then mandatory, else N/A

## A.4 PICS proforma for ANF-WTMO

### A.4.1 Implementation identification

Supplier	
Contact point for queries about the PICS	
Implementation Name(s) and Version(s)	
Other information necessary for full identification, e.g., name(s) and version(s) for machines and/or operating systems; system name(s)	

Only the first three items are required for all implementations; other information may be completed as appropriate in meeting the requirement for full identification.

The terms Name and Version should be interpreted appropriately to correspond with a supplier's terminology (e.g., Type, Series, Model).

### A.4.2 Protocol summary

Protocol Version	1.0
Addenda Implemented (if applicable)	
Amendments Implemented	
Have any exception items been required (see A.2.3) ?	No [ ] Yes [ ]  (The answer YES means that the implementation does not conform to this Standard)
Date of Statement	



### A.4.3 General

Item	Question/feature	References	Status	N/A	Support
A1	Behaviour as Originating PINX for ANF-WTMO		o.1		Yes [ ] No [ ]
A2	Behaviour as Home PINX for ANF-WTMO		o.1		Yes [ ] No [ ]
A3	Support of relevant procedures of ECMA-143 and ECMA-165	7.2	m		Yes [ ]

### A.4.4 Procedures

Item	Question / feature	References	Status	N/A	Support
B1	WTMO procedures at Originating PINX	7.5.1	A1:m	[ ]	m: Yes [ ]
B2	WTMO procedures at Home PINX	7.5.2	A2:m	[ ]	m: Yes [ ]

### A.4.5 Coding

Item	Question / feature	References	Status	N/A	Support
C1	Sending of wtmoCall invoke APDU	7.3.1	A1:m	[ ]	m: Yes [ ]
C2	Receipt of wtmoCall invoke APDU	7.3.1	A2:m	[ ]	m: Yes [ ]

### A.4.6 Timers

Item	Question / feature	References	Status	N/A	Support
D1	Support of timer T3	7.9.2	A2:m	[ ]	m: Yes [ ] Value: .....

### A.4.7 Interactions between ANF-WTMO and SS-CNIP

Item	Question/feature	References	Status	N/A	Support
E1	Support of SS-CNIP	ECMA-164	o		Yes [ ] No [ ]
E2	Interactions at Home PINX	7.8.1.1	c.1	[ ]	o: Yes [ ] No [ ]

c.1: if E1 and A2 then optional, else N/A

#### A.4.8 Interactions between ANF-WTMO and Call Diversion

Item	Question / feature	References	Status	N/A	Support
F1	Support of SS-CFU/CFB/CFNR/CD	ECMA-174	o		Yes [ ] No [ ]
F2	Home PINX acts as Rerouting PINX	7.8.6.1	c.1	[ ]	o: Yes [ ] No [ ]

c.1: if F1 and A2 then optional, else N/A

#### A.4.9 Interactions between ANF-WTMO and ANF-PR

Item	Question / feature	References	Status	N/A	Support
G1	Support of ANF-PR	ECMA-176	o		Yes [ ] No [ ]
G2	Home PINX acts as Cooperating PINX	7.8.7.1	c.1	[ ]	o: Yes [ ] No [ ]

c.1: if G1 and A2 then optional, else N/A

#### A.4.10 Interactions between ANF-WTMO and ANF-CINT

Item	Question / feature	References	Status	N/A	Support
H1	Support of ANF-CINT	ECMA-221	o		Yes [ ] No [ ]
H2	Home PINX acts as Intercepting PINX	7.8.14.1	c.1	[ ]	o: Yes [ ] No [ ]

c.1: if H1 and A2 then optional, else N/A

#### A.4.11 Interactions between ANF-WTMO and ANF-TC

Item	Question/feature	References	Status	N/A	Support
I1	Support of ANF-TC	ECMA-225	o		Yes [ ] No [ ]
I2	Interactions at Home PINX	7.8.15.1	c.1	[ ]	o:Yes [ ] No [ ]

c.1: if I1 and A2 then optional, else N/A

#### A.4.12 Interactions between ANF-WTMO and ANF-RRC

Item	Question/feature	References	Status	N/A	Support
J1	Support of ANF-RRC	ISO/IEC 13241	o		Yes [ ] No [ ]
J2	Interactions at Home PINX	7.8.16.1	c.1	[ ]	o:Yes [ ] No [ ]

c.1: if J1 and A2 then optional, else N/A

**Annex B**  
(informative)

**Imported ASN.1 definitions**

The content of this annex has been deleted to remove duplicate ASN.1 definitions defined elsewhere.







## Annex C (informative)

### Examples of Message Sequences

This annex describes some typical message flows for ANF-WTMI and ANF-WTMO. The following conventions are used in the figures of this annex:

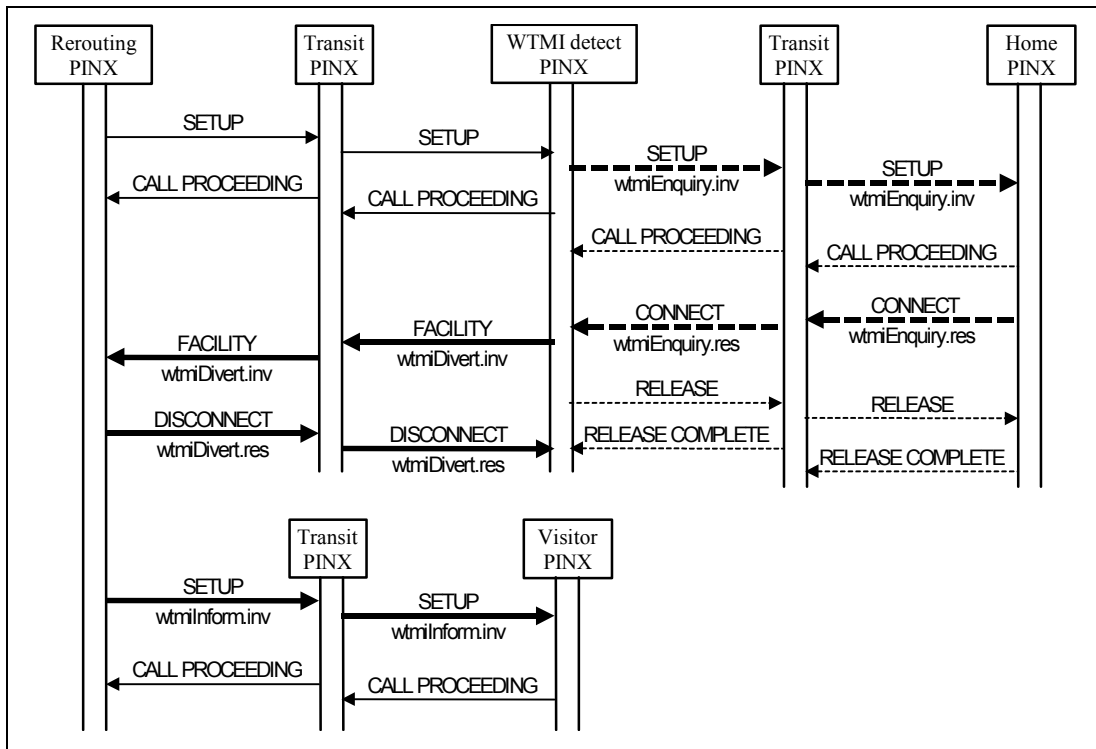
1. The following notation is used:

	Basic call message containing ANF-WTMI / ANF-WTMO information
	Basic call message without ANF-WTMI / ANF-WTMO information
	Call independent signalling connection message containing ANF-WTMI information
	Call independent signalling connection message without ANF-WTMI information
xxx.inv	Invoke APDU for operation xxx
xxx.res	Return result APDU for operation xxx
xxx.err	Return error APDU for operation xxx

2. The figures show messages exchanged via Protocol Control between PINXs involved in ANF-WTMI / ANF-WTMO. Only messages relevant to ANF-WTMI / ANF-WTMO are shown.
3. Only the relevant information content (e.g. remote operation APDUs, notifications, information elements) is listed below each message name. The Facility information elements containing remote operation APDUs are not explicitly shown. Information with no impact on ANF-WTMI / ANF-WTMO is not shown.

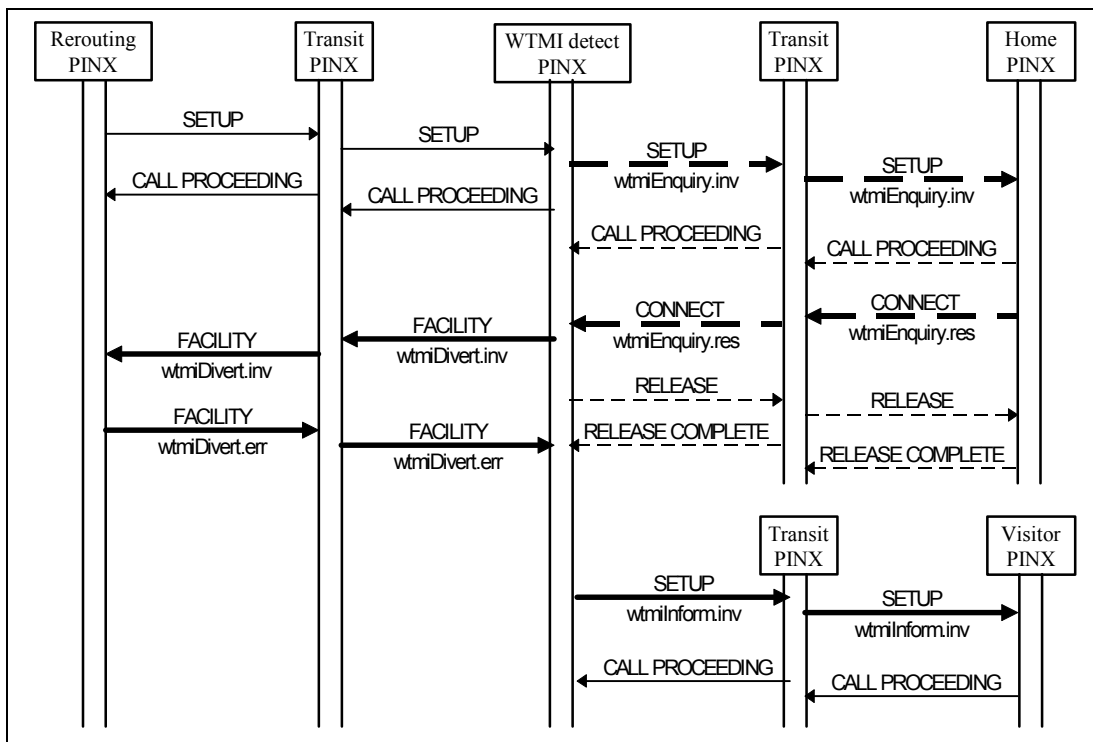
#### C.1 Example message sequences for normal operation of ANF-WTMI

Figure C.1 shows an example of normal operation of ANF-WTMI.



**Figure C.1 - Example of normal operation of ANF-WTMI**

Figure C.2 shows an example of ANF-WTMI when the Rerouting fails and the WTMI-detect PINX performs forward switching to the Visitor PINX.



**Figure C.2 - Example of forward switching by the WTMI-detect PINX**

## C.2 Examples of unsuccessful operation of ANF-WTMI

### C.2.1 WTMI user unknown in Home PINX

Figure C.3 shows an example of unsuccessful operation of ANF-WTMI due to WTMI user unknown.

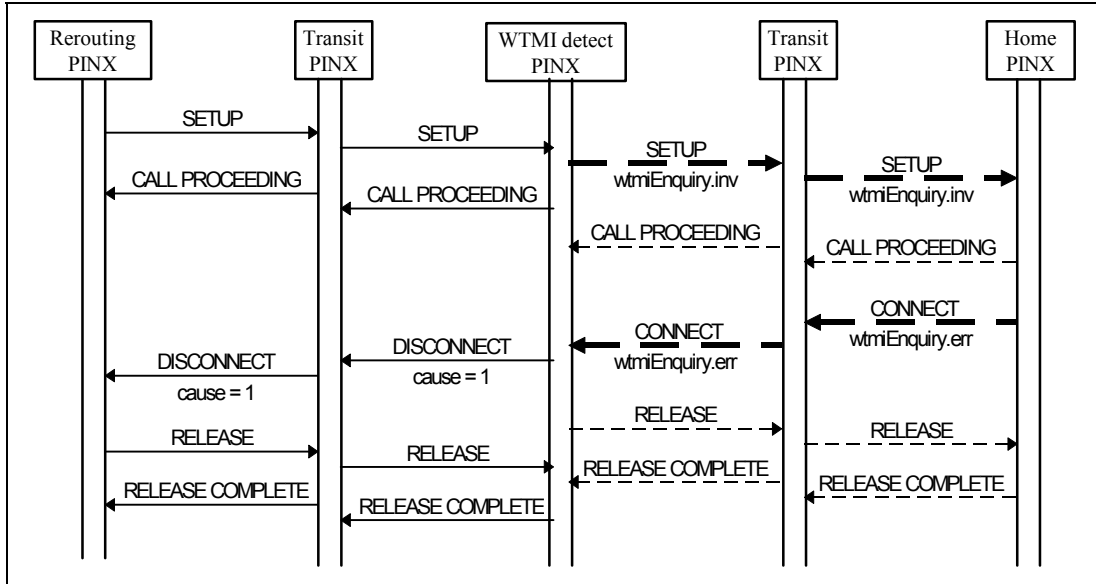


Figure C.3 - Example of ANF-WTMI failure due to WTMI user unknown

### C.2.2 WTMI user's location not known in Home PINX

Figure C.4 shows an example of unsuccessful operation of ANF-WTMI due to WTMI user's location not known.

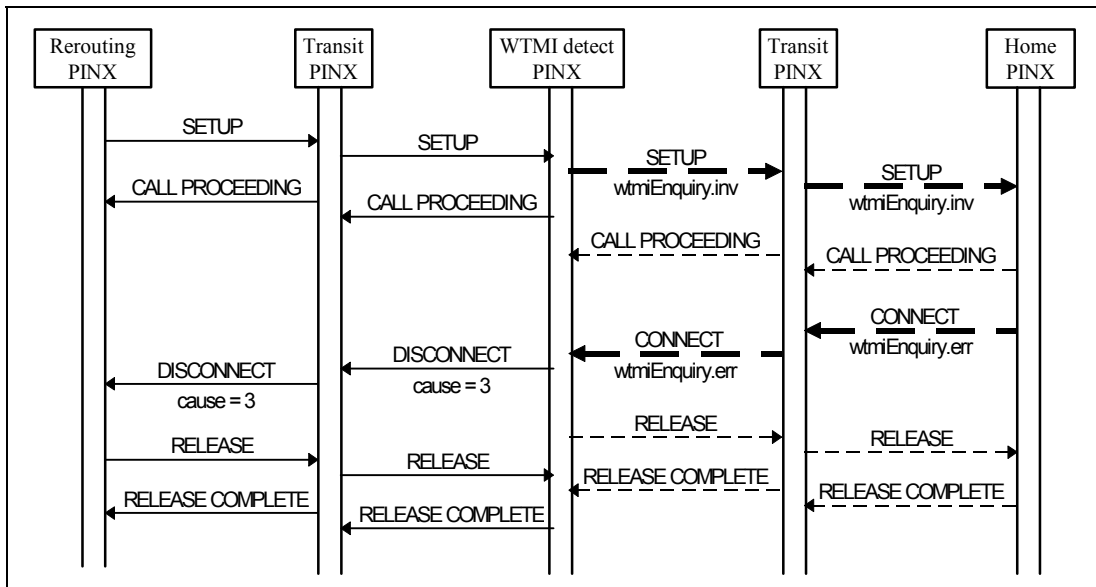


Figure C.4 - Example of ANF-WTMI failure due to WTMI user's location not known

### C.2.3 Collision with location update detected by Visitor PINX

Figure C.5 shows an example of unsuccessful operation of ANF-WTMI due to collision with location update.

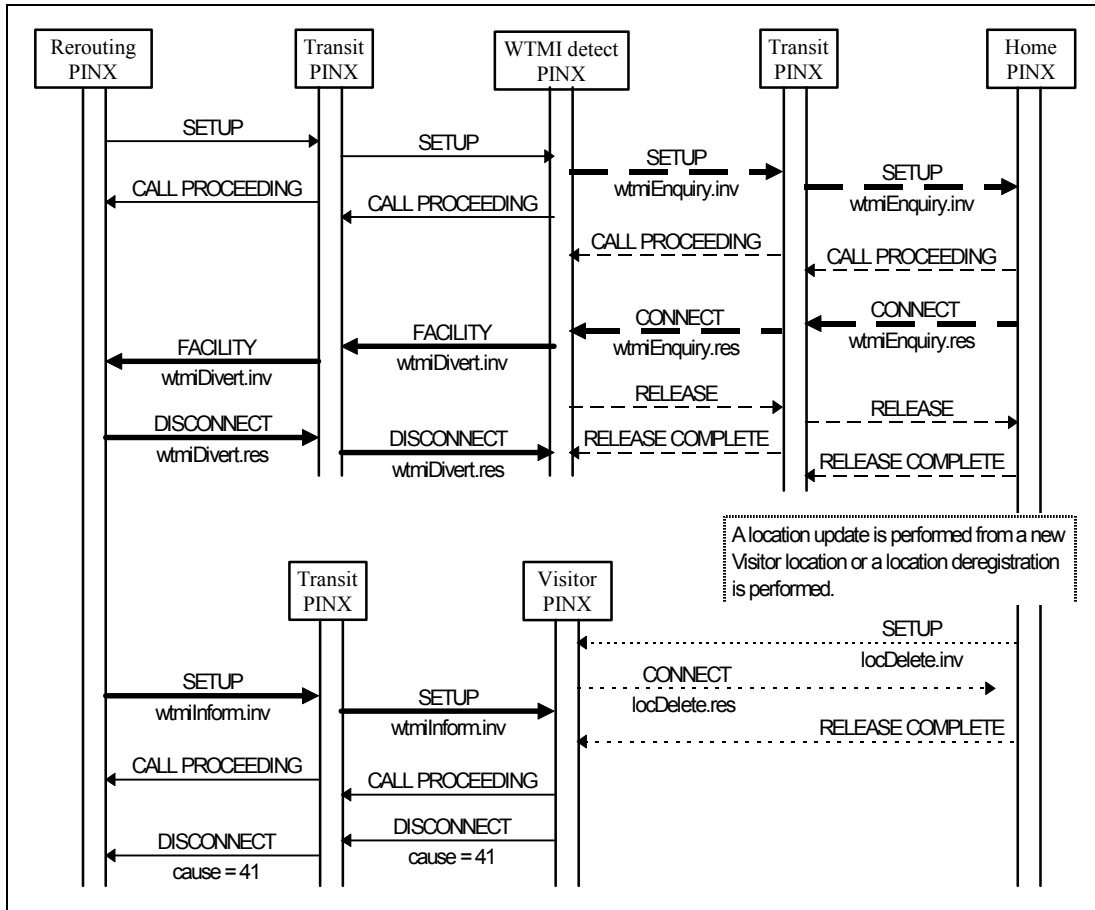


Figure C.5 - Example of ANF-WTMI failure due to collision with location update



### C.3 Successful invocation of ANF-WTMO

#### C.3.1 With overlap operation

Figure C.6 shows an example of the invocation of ANF-WTMO where the destination number is sent in pieces.

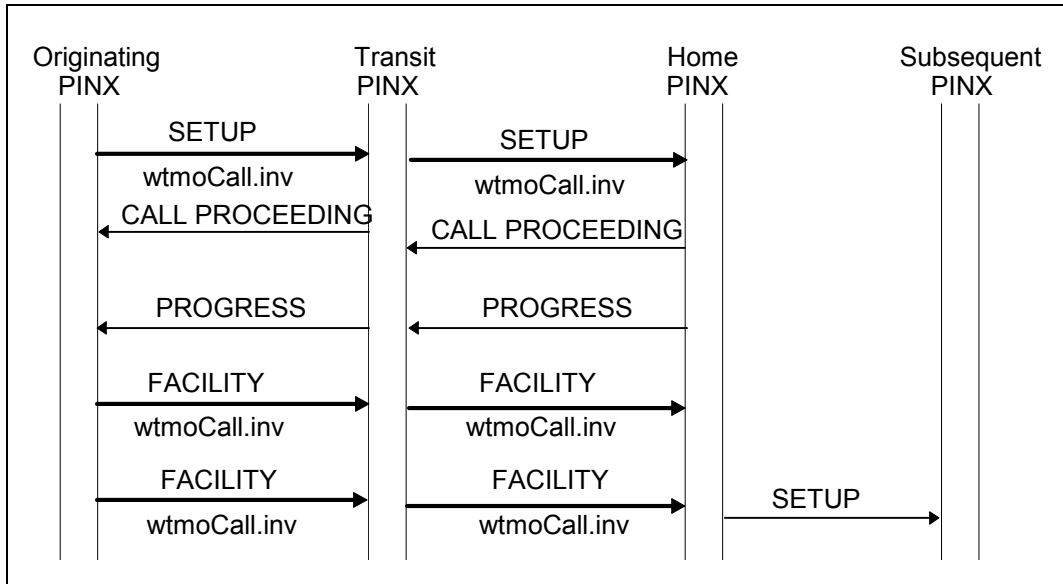


Figure C.6 - Successful invocation of ANF-WTMO with overlap operation

#### C.3.2 With en-bloc operation

Figure C.7 shows an example of the invocation of ANF-WTMO where the whole destination number is sent in the first message.

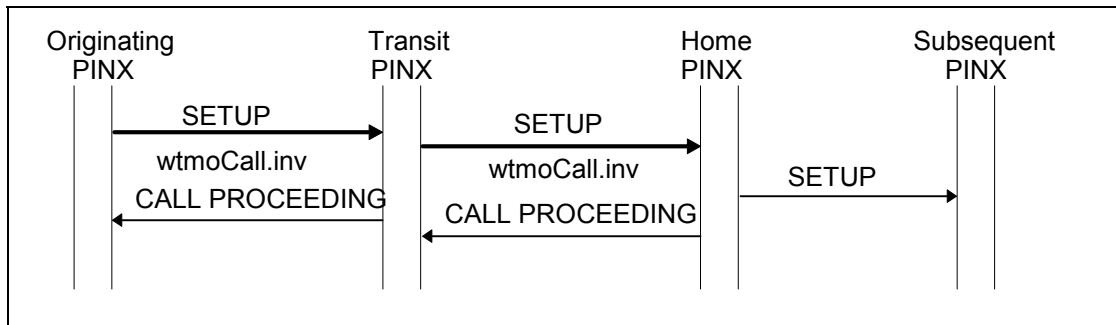


Figure C.7 - Successful invocation of ANF-WTMO with en-bloc operation



**Annex D**  
(informative)

**Specification and Description Language (SDL) representation of procedures**

The diagrams in this annex use the Specification and Description Language defined in ITU-T Recommendation Z.100.

Each diagram represents the behaviour of an ANF-WTMI / ANF-WTMO Service Control entity at a particular type of PINX. In accordance with the protocol model described in ECMA-165, the Supplementary Service Control entity uses, via the Coordination function, the services of Generic Functional Procedures Control and Basic Call Control.

Where an output symbol represents a primitive to the Coordination function, and that primitive results in a message being sent, the output symbol bears the name of the message and any remote operations APDU(s) contained in that message. In the case of a message specified in ECMA-143, basic call actions associated with the sending of that message are deemed to occur.

Where an input symbol represents a primitive from the Coordination function, and that primitive is the result of a message being received, the input signal bears the name of the message and any remote operations APDU(s) contained in that message. In the case of a message specified in ECMA-143, basic call actions associated with the receipt of that message are deemed to have occurred.

The following abbreviations are used:

inv	Invoke APDU
res	Return result APDU
err	Return error APDU
rej	Reject APDU

### D.1 SDL representation of ANF-WTMI at the Rerouteing PINX

Figure D.1 shows the behaviour of an ANF-WTMI Supplementary Service Control entity within the Rerouteing PINX.

Input signals from the right and output signals to the right represent primitives to and from the Co-ordination Function in respect of messages sent and received.

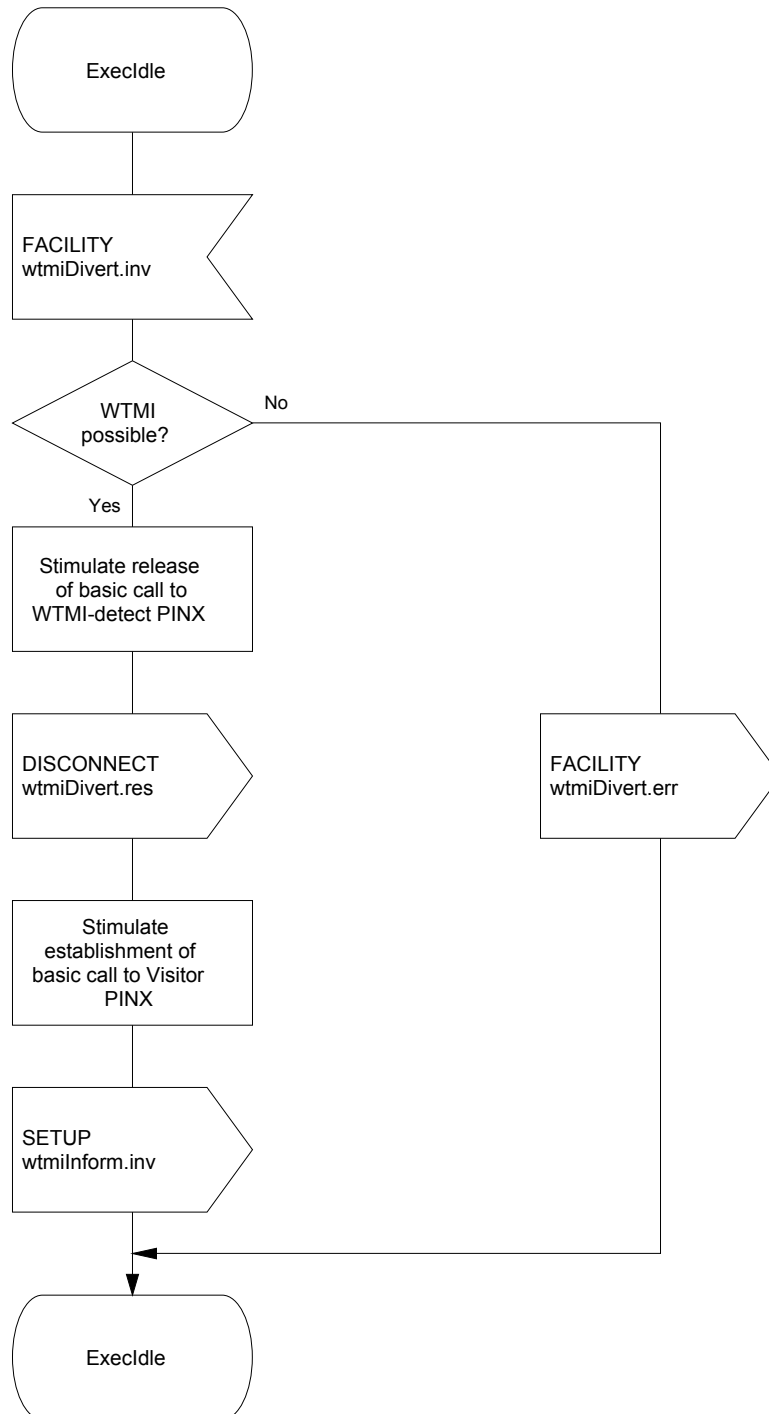


Figure D.1 - SDL representation of ANF-WTMI at the Rerouteing PINX

## D.2 SDL representation of ANF-WTMI at the WTMI-detect PINX

Figure D.2 shows the behaviour of an ANF-WTMI entity within the WTMI-detect PINX.

Input signals from the right and output signals to the right represent primitives to and from the Co-ordination Function in respect of messages sent and received. Also protocol timer expiry is indicated by an input signal from the right.

Input signals from the left represent internal stimuli.

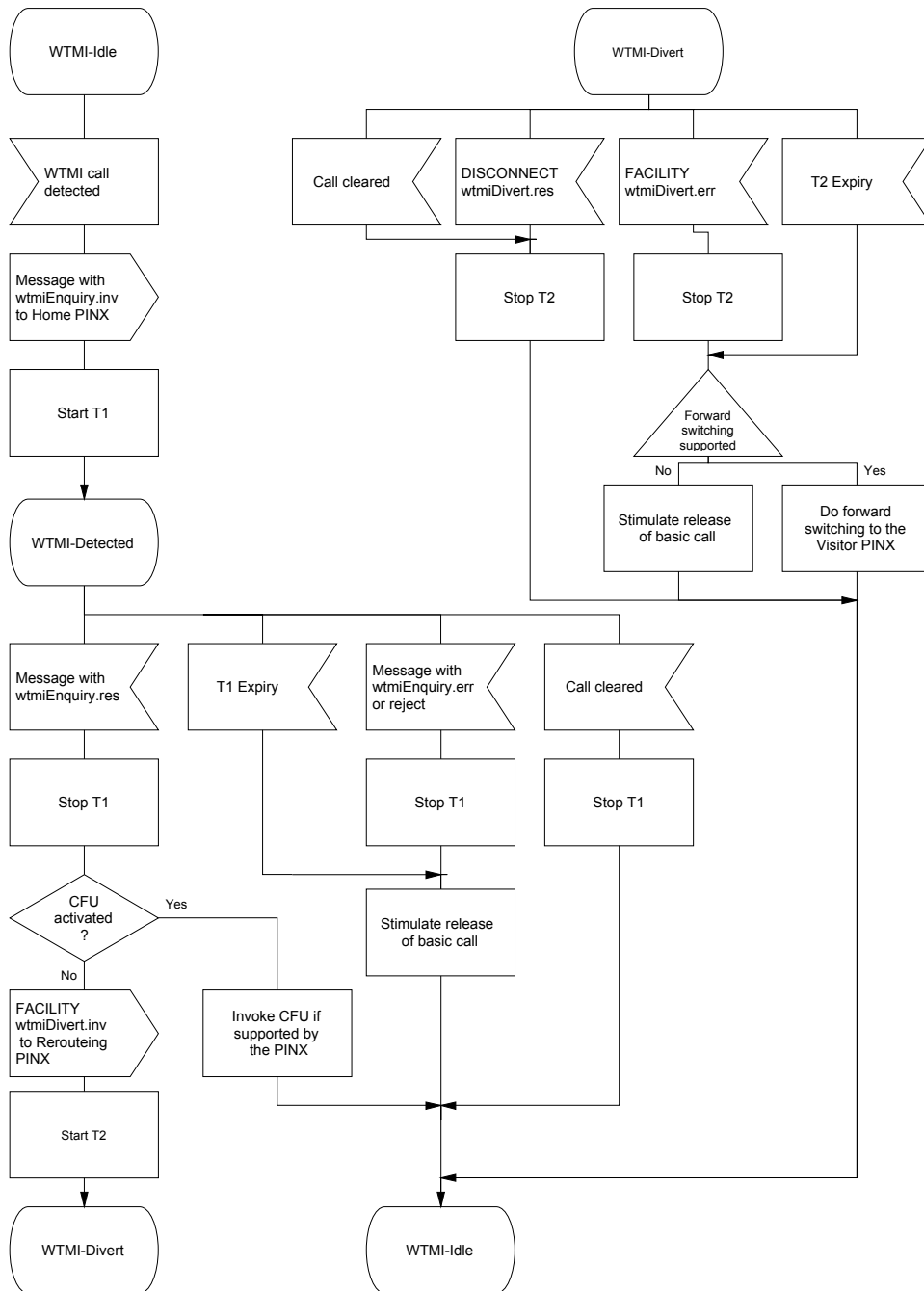


Figure D.2 - SDL representation of ANF-WTMI at the WTMI-detect PINX

### D.3 SDL representation of ANF-WTMI at the Home PINX

Figure D.3 shows the behaviour of an ANF-WTMI entity within the Home PINX.

Input signals from the right and output signals to the right represent primitives to and from the Co-ordination Function in respect of messages sent and received.

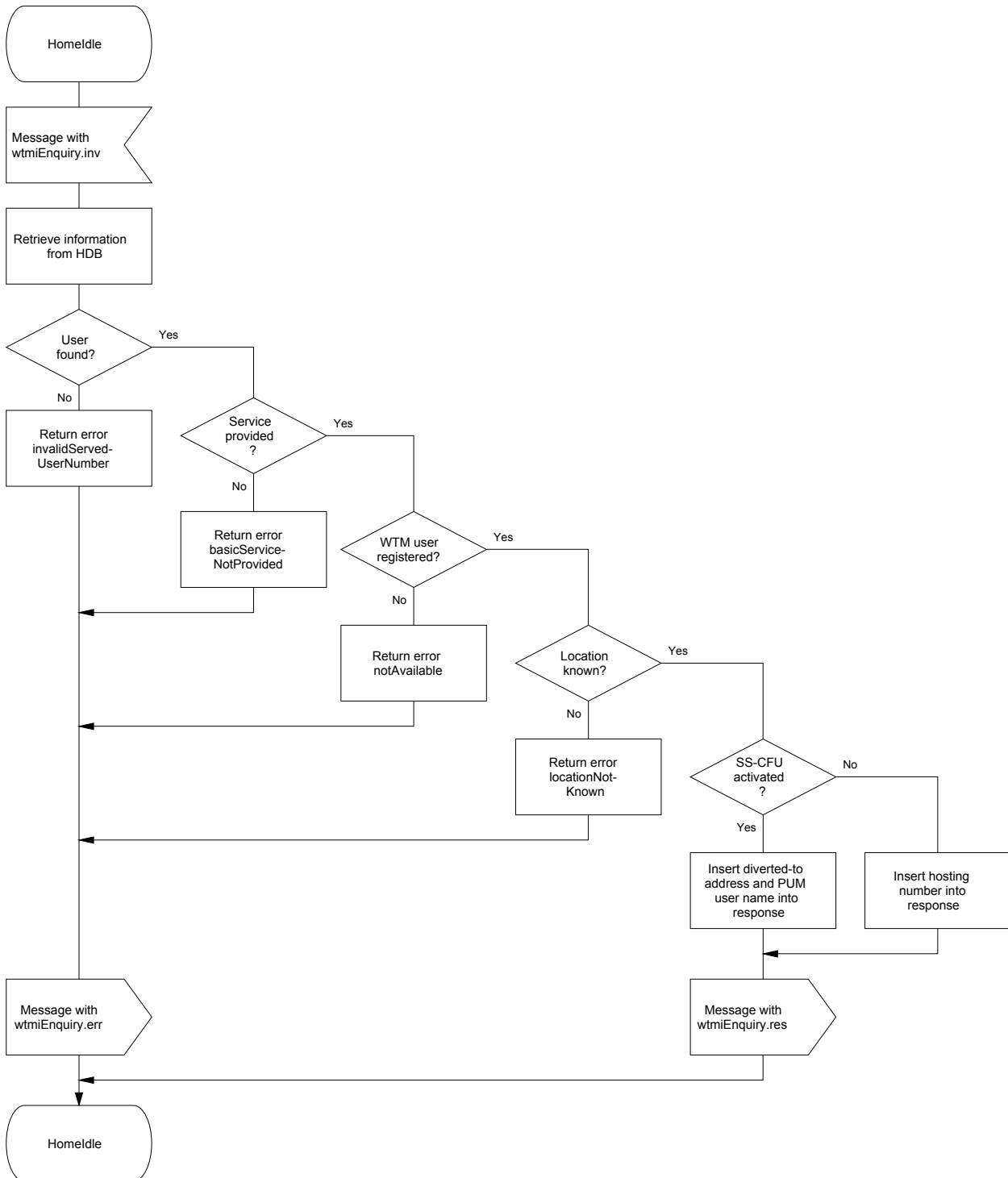


Figure D.3 - SDL representation of ANF-WTMI at the Home PINX

#### D.4 SDL representation of ANF-WTMI at the Visitor PINX

Figure D.4 shows the behaviour of an ANF-WTMI entity within the Visitor PINX.

Input signals from the right and output signals to the right represent primitives to and from the Co-ordination Function in respect of messages sent and received.

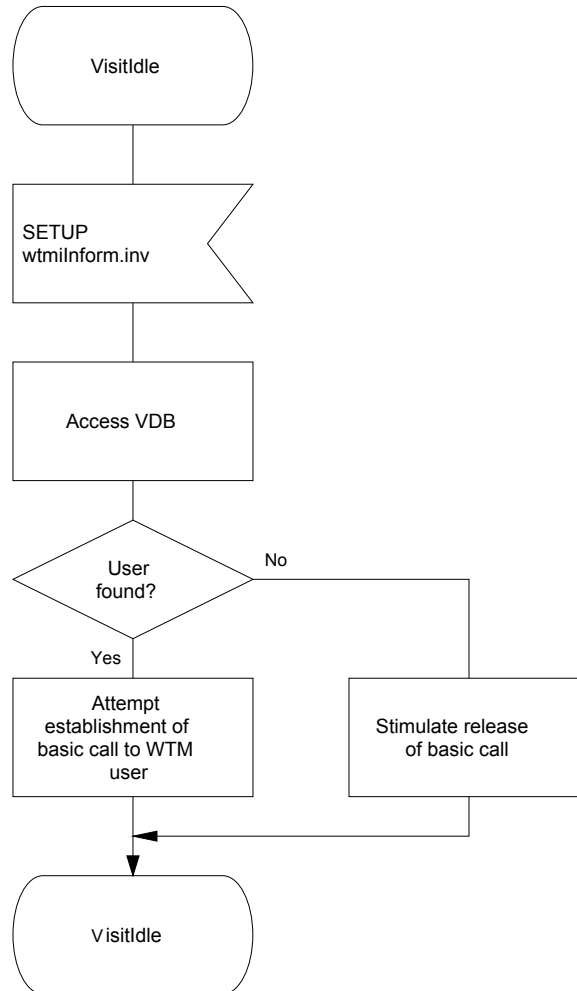


Figure D.4 - SDL representation of ANF-WTMI at the Visitor PINX

### D.5 Behaviour of the Originating PINX for ANF-WTMO

Figure D.5 shows the behaviour of the Originating PINX.

Input signals from the left represent internal primitives. Output signals to the right represent messages to the peer SS-Control entity (i.e. in the Home PINX).

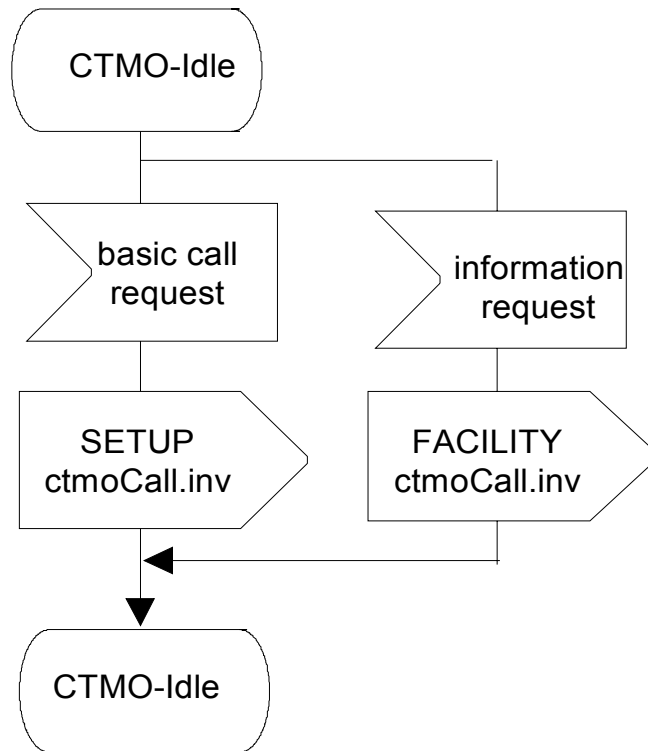


Figure D.5 - Originating PINX behaviour



### D.6 Behaviour of the Home PINX for ANF-WTMO

Figures D.6 and D.7 show the behaviour of the Home PINX.

Input signals from the left represent messages from the peer SS-Control entity (i.e. in the Originating PINX). Output signals to the right and input signals from the right represent internal primitives.

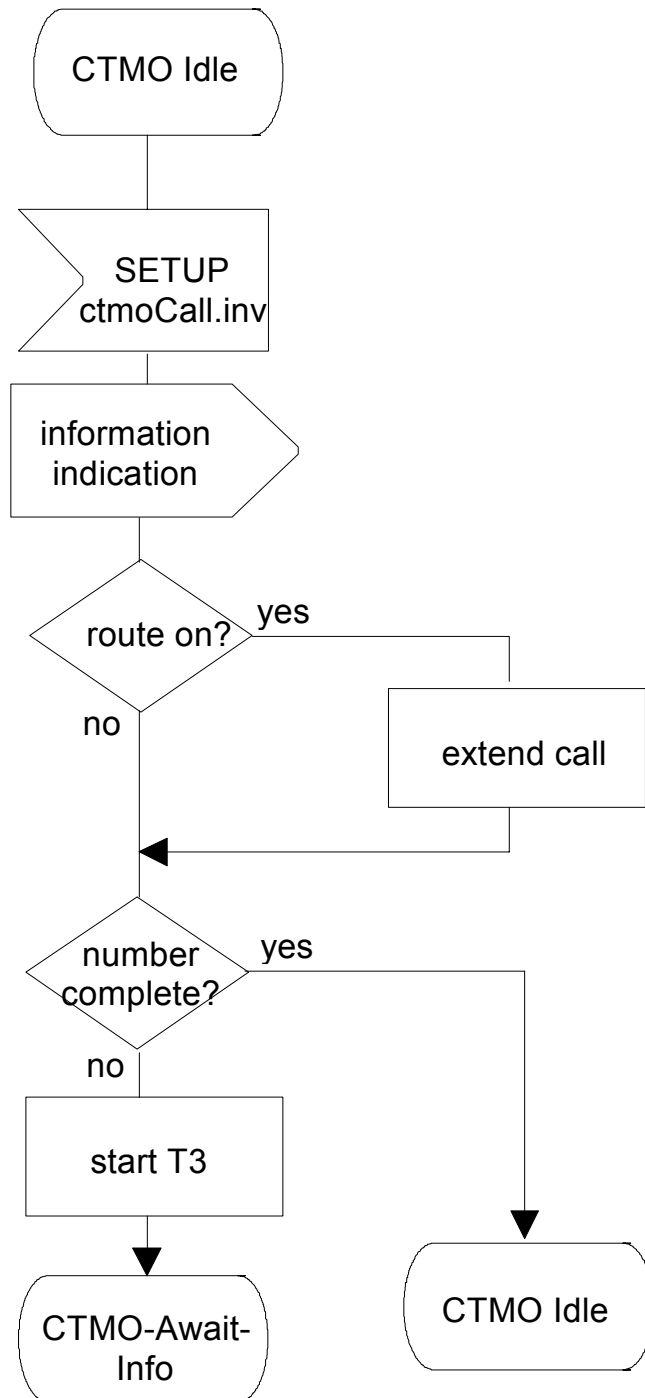


Figure D.6 - Home PINX behaviour (part 1)

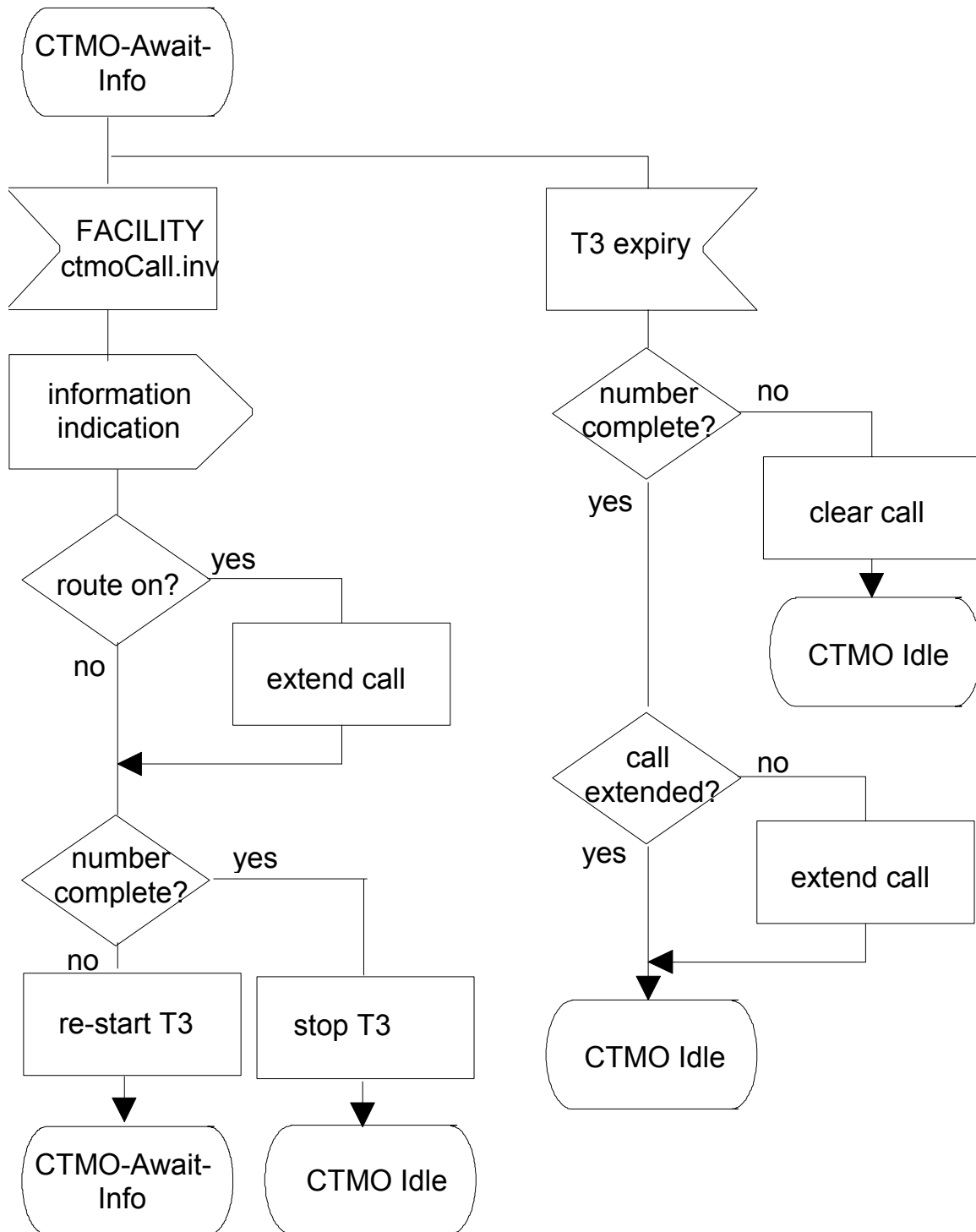


Figure D.7 - Home PINX behaviour (part 2)

**Annex E**  
(normative)

**ASN.1 definitions according to ITU-T Recs. X.208 / X.209**

This annex lists all ASN.1 modules as they were defined in the first edition of ECMA-304, i.e. based on ITU-T Recommendations X.208 / X.209. Starting with the second edition the ASN.1 modules within ECMA-304 comply with ITU-T Recommendations X.680 / X.690. Please note that regardless of which version of these modules is used as a base of a QSIG implementation, the line encoding remains unchanged. Changes in future editions to modules based on X.680 / X.690 ASN.1 are not reflected in the modules in this annex.

**Table E.1 - Wireless-Terminal-Call-Handling-Operations – based on ITU-T Recs. X.208 / X.209**

```
Wireless-Terminal-Call-Handling-Operations
{ iso (1) standard (0) pss1-wtm-call-handling (15431) operations (0)}

DEFINITIONS EXPLICIT TAGS ::=

BEGIN

IMPORTS
    OPERATION, ERROR FROM Remote-Operation-Notation
        { joint-iso-ccitt (2) remote-operations (4) notation (0) }
    Extension FROM Manufacturer-specific-service-extension-definition
        { iso (1) standard (0)
          pss1-generic-procedures (11582) msi-definition (0) }
    PSS1InformationElement FROM Generic-parameters-definition
        { iso (1) standard (0)
          pss1-generic-procedures (11582) pss1-generic-parameters (6) }
    Name FROM Name-Operations
        { iso (1) standard (0)
          pss1-name (13868) name-operations (0) }
    basicServiceNotProvided, invalidServedUserNumber, notAvailable FROM
        General-Error-List
        { ccitt (0) recommendation (0) q (17) 950 general-error-list (1) }
    Address, PartyNumber, PartySubaddress, PresentedNumberScreened FROM
        Addressing-Data-Elements
        { iso (1) standard (0) pss1-generic-procedures (11582)
          addressing-data-elements (9) };

-- Operations for ANF-WTMI: --
WtmiEnquiry ::=
    OPERATION
    -- Sent from the WTMI-detect PINX to the Home PINX.
    ARGUMENT    EnquiryArg
    RESULT      EnquiryRes
    ERRORS      { invalidServedUserNumber, locationNotKnown,
                 notAvailable, basicServiceNotProvided, unspecified }

WtmiDivert ::=
    OPERATION
    -- Sent from the WTMI-detect PINX to the Rerouteing PINX.
    ARGUMENT    DivertArg
    RESULT      DummyRes
    ERRORS      { notAvailable, unspecified }
```

**Table E.1 - Wireless-Terminal-Call-Handling-Operations – based on ITU-T Recs. X.208 / X.209  
(continued)**

WtmIInform ::=	OPERATION		
		-- Sent from the Rerouting PINX to the Visitor PINX.	
	ARGUMENT	InformArg	
EnquiryArg ::=	SEQUENCE	{ pIsnNumber PartyNumber, -- The PISN number of the WTMI user qSIGInfoElement PSS1InformationElement, -- The basic call information elements Bearer capability, High layer compatibility, -- Low layer compatibility can be embedded in the qSIGInfoElement -- in accordance with clause 6.5.2.1. argExtension WtmIExtension OPTIONAL }	
DivertArg ::=	SEQUENCE	{ visitPINX PartyNumber, -- The PISN number of the Visitor PINX, -- always a Complete Number. callingNumber PresentedNumberScreened, wtmIdentity WtmIdentity, -- The PISN number (always a Complete Number) -- and/or an alternative identifier of the WTMI user. qSIGInfoElement PSS1InformationElement, -- The basic call information elements Bearer capability, High layer compatibility, -- Low layer compatibility, and Progress indicator -- can be embedded in the qSIGInfoElement in accordance with clause 6.5.2.1. callingUserSub [ 1 ] PartySubaddress OPTIONAL, callingName [ 2 ] Name OPTIONAL, wtmUserSub [ 3 ] PartySubaddress OPTIONAL, argExtension WtmIExtension OPTIONAL }	
InformArg ::=	SEQUENCE	{ wtmIdentity WtmIdentity, -- The PISN number (always a Complete Number) -- and/or an alternative identifier of the WTMI user. argExtension WtmIExtension OPTIONAL }	
EnquiryRes ::=	CHOICE	{ currLocation [ 1 ] IMPLICIT CurrLocation, cfuActivated [ 2 ] IMPLICIT CfuActivated }	
CurrLocation ::=	SEQUENCE	{ visitPINX PartyNumber, -- The PISN number of the Visitor PINX, -- always a Complete Number. wtmIdentity WtmIdentity, -- The PISN number (always a Complete Number) -- and/or an alternative identifier of the WTMI user argExtension WtmIExtension OPTIONAL }	
CfuActivated ::=	SEQUENCE	{ divToAddress Address, divOptions SubscriptionOption, wtmName [ 1 ] Name OPTIONAL, argExtension WtmIExtension OPTIONAL }	
SubscriptionOption ::=	ENUMERATED	{ noNotification (0), notificationWithoutDivertedToNr (1), notificationWithDivertedToNr (2) }	
DummyRes ::=	CHOICE	{ null NULL, extension [ 1 ] IMPLICIT Extension, sequOfExtn [ 2 ] IMPLICIT SEQUENCE OF Extension }	
WtmIExtension ::=	CHOICE	{ extension [ 4 ] IMPLICIT Extension, sequOfExtn [ 5 ] IMPLICIT SEQUENCE OF Extension }	

**Table E.1 - Wireless-Terminal-Call-Handling-Operations – based on ITU-T Recs. X.208 / X.209 (concluded)**

WtmIdentity ::=	CHOICE	{ pIsnNumber alternativeld both	PartyNumber, [ 10 ] IMPLICIT Alternativeld, [ 11 ] IMPLICIT SEQUENCE { pIsnNumber PartyNumber, alternativeld Alternativeld }
Alternativeld ::=	OCTET STRING(SIZE(1..20))		
<i>-- Operation for ANF-WTMO --</i>			
WtmoCall ::=	OPERATION ARGUMENT	WtmoArg	
WtmoArg ::=	SEQUENCE { destinationNumber sendingComplete extension  }	[0] PartyNumber [1] IMPLICIT NULL CHOICE {single multiple OPTIONAL }	OPTIONAL, OPTIONAL, [2] IMPLICIT Extension, [3] IMPLICIT SEQUENCE OF Extension
wtmEnquiry		WtmEnquiry	::= localValue 54
wtmDivert		WtmDivert	::= localValue 55
wtmInform		WtmInform	::= localValue 56
wtmoCall		WtmoCall	::= localValue 71
locationNotKnown		ERROR	::= localValue 1015
unspecified		Unspecified	::= localValue 1008
Unspecified	::=	ERROR	PARAMETER Extension
END	<i>-- of Wireless-Terminal-Call-Handling-Operations</i>		









Free printed copies can be ordered from:

**ECMA**

114 Rue du Rhône

CH-1204 Geneva

Switzerland

Fax: +41 22 849.60.01

Email: [documents@ecma.ch](mailto:documents@ecma.ch)

Files of this Standard can be freely downloaded from the ECMA web site ([www.ecma.ch](http://www.ecma.ch)). This site gives full information on ECMA, ECMA activities, ECMA Standards and Technical Reports.

**ECMA**  
114 Rue du Rhône  
CH-1204 Geneva  
Switzerland

**See inside cover page for obtaining further soft or hard copies.**